

# SECTION **BRC**

## BRAKE CONTROL SYSTEM

A  
B  
C  
D  
E

### CONTENTS

<b>VDC/TCS/ABS</b>		
<b>BASIC INSPECTION</b> .....	4	
<b>DIAGNOSIS AND REPAIR WORKFLOW</b> .....	4	
Work Flow .....	4	
Diagnostic Work Sheet .....	7	
<b>INSPECTION AND ADJUSTMENT</b> .....	8	
<b>ADDITIONAL SERVICE WHEN REPLACING CONTROL UNIT</b> .....	8	
ADDITIONAL SERVICE WHEN REPLACING CONTROL UNIT : Description .....	8	
ADDITIONAL SERVICE WHEN REPLACING CONTROL UNIT : Special Repair Requirement .....	8	
<b>ADJUSTMENT OF STEERING ANGLE SENSOR NEUTRAL POSITION</b> .....	8	
ADJUSTMENT OF STEERING ANGLE SENSOR NEUTRAL POSITION : Description .....	8	
ADJUSTMENT OF STEERING ANGLE SENSOR NEUTRAL POSITION : Special Repair Requirement .....	8	
<b>SYSTEM DESCRIPTION</b> .....	10	
<b>VDC</b> .....	10	
System Diagram .....	10	
System Description .....	10	
Component Parts Location .....	11	
Component Description .....	13	
<b>TCS</b> .....	14	
System Diagram .....	14	
System Description .....	14	
Component Parts Location .....	15	
Component Description .....	17	
<b>ABS</b> .....	18	
System Diagram .....	18	
System Description .....	18	
Component Parts Location .....	19	
Component Description .....	21	
<b>EBD</b> .....	22	
System Diagram .....	22	
System Description .....	22	
Component Parts Location .....	23	
Component Description .....	25	
<b>DIAGNOSIS SYSTEM [ABS ACTUATOR AND ELECTRIC UNIT (CONTROL UNIT)]</b> .....	26	
CONSULT-III Function .....	26	
<b>DTC/CIRCUIT DIAGNOSIS</b> .....	31	
<b>C1101, C1102, C1103, C1104 WHEEL SENSOR-1</b> .....	31	
Description .....	31	
DTC Logic .....	31	
Diagnosis Procedure .....	31	
Component Inspection .....	33	
Special Repair Requirement .....	33	
<b>C1105, C1106, C1107, C1108 WHEEL SENSOR-2</b> .....	34	
Description .....	34	
DTC Logic .....	34	
Diagnosis Procedure .....	34	
Component Inspection .....	36	
Special Repair Requirement .....	36	
<b>C1109 POWER AND GROUND SYSTEM</b> .....	37	
Description .....	37	
DTC Logic .....	37	
Diagnosis Procedure .....	37	
Special Repair Requirement .....	38	
<b>C1110, C1153, C1170 ABS ACTUATOR AND ELECTRIC UNIT (CONTROL UNIT)</b> .....	39	
DTC Logic .....	39	
Diagnosis Procedure .....	39	
Special Repair Requirement .....	39	

BRC

G  
H  
I  
J  
K  
L  
M  
N  
O  
P

<b>C1111 ABS MOTOR, MOTOR RELAY SYSTEM</b> .....	<b>40</b>	<b>C1143, C1144 STEERING ANGLE SENSOR...</b>	<b>59</b>
Description .....	40	Description .....	59
DTC Logic .....	40	DTC Logic .....	59
Diagnosis Procedure .....	40	Diagnosis Procedure .....	59
Component Inspection .....	41	Component Inspection .....	60
Special Repair Requirement .....	41	Special Repair Requirement .....	60
<b>C1114 ACTUATOR RELAY SYSTEM</b> .....	<b>42</b>	<b>C1145, C1146 YAW RATE/SIDE G SENSOR...</b>	<b>61</b>
Description .....	42	Description .....	61
DTC Logic .....	42	DTC Logic .....	61
Diagnosis Procedure .....	42	Diagnosis Procedure .....	61
Component Inspection .....	43	Component Inspection .....	62
Special Repair Requirement .....	43	Special Repair Requirement .....	63
<b>C1115 WHEEL SENSOR</b> .....	<b>44</b>	<b>C1147, C1148, C1149, C1150 USV/HSV LINE..</b>	<b>64</b>
Description .....	44	Description .....	64
DTC Logic .....	44	DTC Logic .....	64
Diagnosis Procedure .....	44	Diagnosis Procedure .....	64
Component Inspection .....	46	Component Inspection .....	65
Special Repair Requirement .....	46	Special Repair Requirement .....	66
<b>C1116 STOP LAMP SWITCH</b> .....	<b>47</b>	<b>C1155 BRAKE FLUID LEVEL SWITCH</b> .....	<b>67</b>
Description .....	47	Description .....	67
DTC Logic .....	47	DTC Logic .....	67
Diagnosis Procedure .....	47	Diagnosis Procedure .....	67
Component Inspection .....	48	Component Inspection .....	68
Special Repair Requirement .....	48	Special Repair Requirement .....	68
<b>C1120, C1122, C1124, C1126 IN ABS SOL</b> ....	<b>49</b>	<b>C1185 ICC UNIT</b> .....	<b>69</b>
Description .....	49	Description .....	69
DTC Logic .....	49	DTC Logic .....	69
Diagnosis Procedure .....	49	Diagnosis Procedure .....	69
Component Inspection .....	50	Special Repair Requirement .....	69
Special Repair Requirement .....	51	<b>U1000, U1002 CAN COMM CIRCUIT</b> .....	<b>70</b>
<b>C1121, C1123, C1125, C1127 OUT ABS SOL..</b>	<b>52</b>	Description .....	70
Description .....	52	DTC Logic .....	70
DTC Logic .....	52	Diagnosis Procedure .....	70
Diagnosis Procedure .....	52	Special Repair Requirement .....	70
Component Inspection .....	53	<b>PARKING BRAKE SWITCH</b> .....	<b>71</b>
Special Repair Requirement .....	54	Description .....	71
<b>C1130, C1131, C1132 ENGINE SIGNAL</b> .....	<b>55</b>	Component Function Check .....	71
Description .....	55	Diagnosis Procedure .....	71
DTC Logic .....	55	Component Inspection .....	72
Diagnosis Procedure .....	55	<b>VDC OFF SWITCH</b> .....	<b>73</b>
Special Repair Requirement .....	55	Description .....	73
<b>C1138 4WAS SYSTEM</b> .....	<b>56</b>	Component Function Check .....	73
Description .....	56	Diagnosis Procedure .....	73
DTC Logic .....	56	Component Inspection .....	74
Diagnosis Procedure .....	56	<b>ABS WARNING LAMP</b> .....	<b>75</b>
Special Repair Requirement .....	56	Description .....	75
<b>C1142 PRESS SENSOR</b> .....	<b>57</b>	Component Function Check .....	75
Description .....	57	Diagnosis Procedure .....	75
DTC Logic .....	57	<b>BRAKE WARNING LAMP</b> .....	<b>76</b>
Diagnosis Procedure .....	57	Description .....	76
Component Inspection .....	58	Component Function Check .....	76
Special Repair Requirement .....	58	Diagnosis Procedure .....	76

<b>VDC OFF INDICATOR LAMP</b> .....	77	<b>PRECAUTION</b> .....	98	A
Description .....	77	<b>PRECAUTIONS</b> .....	98	B
Component Function Check .....	77	Precaution for Supplemental Restraint System (SRS) "AIR BAG" and "SEAT BELT PRE-TENSIONER" .....	98	C
Diagnosis Procedure .....	77	Precaution for Brake System .....	98	D
<b>SLIP INDICATOR LAMP</b> .....	78	Precaution for Brake Control .....	99	E
Description .....	78	<b>PREPARATION</b> .....	100	F
Component Function Check .....	78	<b>PREPARATION</b> .....	100	G
Diagnosis Procedure .....	78	Special Service Tool .....	100	H
<b>ECU DIAGNOSIS INFORMATION</b> .....	79	Commercial Service Tool .....	100	I
<b>ABS ACTUATOR AND ELECTRIC UNIT (CONTROL UNIT)</b> .....	79	<b>REMOVAL AND INSTALLATION</b> .....	101	J
Reference Value .....	79	<b>WHEEL SENSOR</b> .....	101	K
Wiring Diagram - BRAKE CONTROL SYSTEM - .....	83	Exploded View .....	101	L
Fail-Safe .....	87	Removal and Installation .....	101	M
DTC No. Index .....	88	<b>SENSOR ROTOR</b> .....	102	N
<b>SYMPTOM DIAGNOSIS</b> .....	90	<b>FRONT SENSOR ROTOR</b> .....	102	O
<b>VDC/TCS/ABS</b> .....	90	FRONT SENSOR ROTOR : Exploded View .....	102	P
Symptom Table .....	90	FRONT SENSOR ROTOR : Removal and Installation .....	102	
<b>EXCESSIVE ABS FUNCTION OPERATION FREQUENCY</b> .....	91	<b>REAR SENSOR ROTOR</b> .....	102	
Diagnosis Procedure .....	91	REAR SENSOR ROTOR : Exploded View .....	102	
<b>UNEXPECTED PEDAL REACTION</b> .....	92	REAR SENSOR ROTOR : Removal and Installation .....	102	
Diagnosis Procedure .....	92	<b>ABS ACTUATOR AND ELECTRIC UNIT (CONTROL UNIT)</b> .....	103	
<b>THE BRAKING DISTANCE IS LONG</b> .....	93	Exploded View .....	103	
Diagnosis Procedure .....	93	Removal and Installation .....	103	
<b>ABS FUNCTION DOES NOT OPERATE</b> .....	94	<b>YAW RATE/SIDE G SENSOR</b> .....	105	
Diagnosis Procedure .....	94	Exploded View .....	105	
<b>PEDAL VIBRATION OR ABS OPERATION SOUND OCCURS</b> .....	95	Removal and Installation .....	105	
Diagnosis Procedure .....	95	<b>STEERING ANGLE SENSOR</b> .....	106	
<b>VEHICLE JERKS DURING VDC/TCS/ABS CONTROL</b> .....	96	Exploded View .....	106	
Diagnosis Procedure .....	96	Removal and Installation .....	106	
<b>NORMAL OPERATING CONDITION</b> .....	97			
Description .....	97			

**BRC**

## BASIC INSPECTION

### DIAGNOSIS AND REPAIR WORKFLOW

#### Work Flow

INFOID:000000001832446

#### PRECAUTIONS FOR DIAGNOSIS

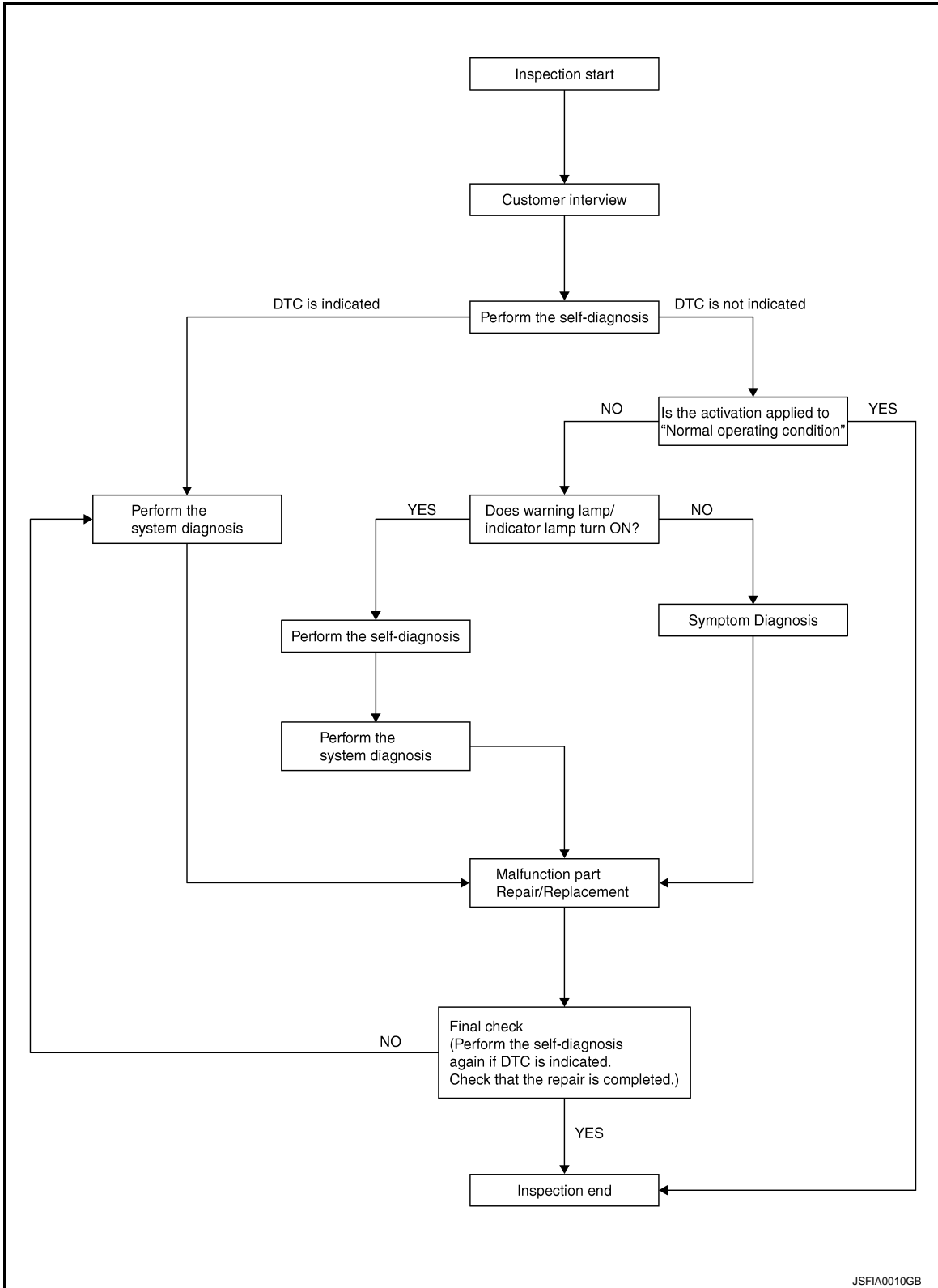
If steering angle sensor, steering system parts, suspension system parts, 4WAS system parts, ABS actuator and electric unit (control unit) or tires have been replaced, or if wheel alignment has been adjusted, be sure to adjust neutral position of steering angle sensor before driving. Refer to [BRC-8, "ADJUSTMENT OF STEERING ANGLE SENSOR NEUTRAL POSITION : Description"](#).

# DIAGNOSIS AND REPAIR WORKFLOW

[VDC/TCS/ABS]

< BASIC INSPECTION >

OVERALL SEQUENCE



A  
B  
C  
D  
E  
BRC  
G  
H  
I  
J  
K  
L  
M  
N  
O  
P

## DETAILED FLOW

### 1. COLLECT THE INFORMATION FROM THE CUSTOMER

Get the detailed information from the customer about the symptom (the condition and the environment when the incident/malfunction occurred) using the diagnosis worksheet. Refer to [BRC-7, "Diagnostic Work Sheet"](#).

>> GO TO 2.

# DIAGNOSIS AND REPAIR WORKFLOW

[VDC/TCS/ABS]

< BASIC INSPECTION >

---

## 2. PERFORM THE SELF-DIAGNOSIS

---

Check the DTC display with the self-diagnosis function.

Is there any DTC displayed?

YES >> GO TO 3.

NO >> GO TO 4.

---

## 3. PERFORM THE SYSTEM DIAGNOSIS

---

Perform the diagnosis applicable to the displayed DTC. Refer to [BRC-88, "DTC No. Index"](#).

>> GO TO 7.

---

## 4. CHECK THE SYMPTOM THAT IS NOT CONSIDERED A SYSTEM MALFUNCTION

---

Check that the symptom is a normal operation that is not considered a system malfunction. Refer to [BRC-97, "Description"](#).

Is the symptom a normal operation?

YES >> INSPECTION END

NO >> GO TO 5.

---

## 5. CHECK THE WARNING LAMP AND INDICATOR LAMP FOR ILLUMINATION

---

Check that the warning lamp and indicator lamp illuminate.

- ABS warning lamp: Refer to [BRC-75, "Description"](#).
- Brake warning lamp: Refer to [BRC-76, "Description"](#).
- VDC OFF indicator lamp: Refer to [BRC-77, "Description"](#).
- SLIP indicator lamp: Refer to [BRC-78, "Description"](#).

Is ON/OFF timing normal?

YES >> GO TO 6.

NO >> GO TO 2.

---

## 6. PERFORM THE DIAGNOSIS BY SYMPTOM

---

Perform the diagnosis applicable to the symptom.

>> GO TO 7.

---

## 7. REPAIR OR REPLACE THE MALFUNCTIONING PARTS

---

Repair or replace the specified malfunctioning parts.

>> GO TO 8.

---

## 8. FINAL CHECK

---

Perform the self-diagnosis again, and check that the malfunction is repaired completely. After checking, erase the self-diagnosis memory.

Is no other DTC present and the repair completed?

YES >> INSPECTION END

NO >> GO TO 3.

# DIAGNOSIS AND REPAIR WORKFLOW

< BASIC INSPECTION >

[VDC/TCS/ABS]

## Diagnostic Work Sheet

INFOID:000000001832447

Customer name MR/MS	Model & Year	VIN	
Engine #	Trans.	Mileage	
Incident Date	Manuf. Date	In Service Date	
Symptoms	<input type="checkbox"/> Noise and vibration (from engine compartment) <input type="checkbox"/> Noise and vibration (from axle)	<input type="checkbox"/> Warning / Indicator activate	<input type="checkbox"/> Firm pedal operation Large stroke pedal operation
	<input type="checkbox"/> TCS does not work (Rear wheels slip when accelerating)	<input type="checkbox"/> ABS does not work (Wheels lock when braking)	<input type="checkbox"/> Lack of sense of acceleration
Engine conditions	<input type="checkbox"/> When starting <input type="checkbox"/> After starting		
Road conditions	<input type="checkbox"/> Low friction road ( <input type="checkbox"/> Snow <input type="checkbox"/> Gravel <input type="checkbox"/> Other ) <input type="checkbox"/> Bumps / potholes		
Driving conditions	<input type="checkbox"/> Full-acceleration <input type="checkbox"/> High speed cornering <input type="checkbox"/> Vehicle speed: Greater than 10 km/h (6 MPH) <input type="checkbox"/> Vehicle speed: 10 km/h (6 MPH) or less <input type="checkbox"/> Vehicle is stopped		
Applying brake conditions	<input type="checkbox"/> Suddenly <input type="checkbox"/> Gradually		
Other conditions	<input type="checkbox"/> Operation of electrical equipment <input type="checkbox"/> Shift change <input type="checkbox"/> Other descriptions		

A  
B  
C  
D  
E  
**BRC**  
G  
H  
I  
J  
K  
L  
M  
N  
O  
P

SFIA3265E

# INSPECTION AND ADJUSTMENT

< BASIC INSPECTION >

[VDC/TCS/ABS]

## INSPECTION AND ADJUSTMENT

### ADDITIONAL SERVICE WHEN REPLACING CONTROL UNIT

#### ADDITIONAL SERVICE WHEN REPLACING CONTROL UNIT : Description

INFOID:000000001832448

After replacing the ABS actuator and electric unit (control unit), perform the neutral position adjustment for the steering angle sensor.

#### ADDITIONAL SERVICE WHEN REPLACING CONTROL UNIT : Special Repair Requirement

INFOID:000000001832449

#### 1. PERFORM THE NEUTRAL POSITION ADJUSTMENT FOR THE STEERING ANGLE SENSOR

Perform the neutral position adjustment for the steering angle sensor.

>> Refer to [BRC-8, "ADJUSTMENT OF STEERING ANGLE SENSOR NEUTRAL POSITION : Special Repair Requirement"](#).

### ADJUSTMENT OF STEERING ANGLE SENSOR NEUTRAL POSITION

#### ADJUSTMENT OF STEERING ANGLE SENSOR NEUTRAL POSITION : Description

INFOID:000000001832450

In case of doing work that applies to the list below, make sure to adjust neutral position of steering angle sensor before running vehicle.

×: Required –: Not required

Situation	Adjustment of steering angle sensor neutral position
Removing/Installing ABS actuator and electric unit (control unit)	—
Replacing ABS actuator and electric unit (control unit)	×
Removing/Installing steering angle sensor	×
Replacing steering angle sensor	×
Removing/Installing 4WAS components	×
Replacing 4WAS components	×
Removing/Installing steering components	×
Replacing steering components	×
Removing/Installing suspension components	×
Replacing suspension components	×
Change tires to new ones	—
Tire rotation	—
Adjusting wheel alignment	×

#### ADJUSTMENT OF STEERING ANGLE SENSOR NEUTRAL POSITION : Special Repair Requirement

INFOID:000000001832451

### ADJUSTMENT OF STEERING ANGLE SENSOR NEUTRAL POSITION

#### **CAUTION:**

**To adjust neutral position of steering angle sensor, make sure to use CONSULT-III.  
(Adjustment cannot be done without CONSULT-III.)**

#### 1. ALIGN THE VEHICLE STATUS

Stop vehicle with front wheels in straight-ahead position.

>> GO TO 2.

#### 2. PERFORM THE NEUTRAL POSITION ADJUSTMENT FOR THE STEERING ANGLE SENSOR



# INSPECTION AND ADJUSTMENT

[VDC/TCS/ABS]

## < BASIC INSPECTION >

1. On the CONSULT-III screen, touch "WORK SUPPORT" and "ST ANG SEN ADJUSTMENT" in order.
2. Touch "START".

**CAUTION:**

**Do not touch steering wheel while adjusting steering angle sensor.**

3. After approximately 10 seconds, touch "END".

**NOTE:**

After approximately 60 seconds, it ends automatically.

4. Turn ignition switch OFF, then turn it ON again.

**CAUTION:**

**Be sure to perform above operation.**

>> GO TO 3.

## 3. CHECK DATA MONITOR

1. Run vehicle with front wheels in straight-ahead position, then stop.
2. Select "DATA MONITOR". Then make sure "STR ANGLE SIG" is within  $0 \pm 2.5^\circ$ .

Is the steering angle within the specified range?

YES >> GO TO 4.

NO >> Perform the neutral position adjustment for the steering angle sensor again, GO TO 1.

## 4. ERASE THE SELF-DIAGNOSIS MEMORY

Erase the self-diagnosis memories of the ABS actuator and electric unit (control unit), ECM, 4WAS and ICC.

- ABS actuator and electric unit (control unit): Refer to [BRC-26, "CONSULT-III Function"](#).
- ECM: Refer to [EC-113, "CONSULT-III Function"](#).
- 4WAS
  - 4WAS FRONT CONTROL UNIT: Refer to [STC-40, "CONSULT-III Function \[4WAS\(FRONT\)\]"](#).
  - 4WAS MAIN CONTROL UNIT: Refer to [STC-44, "CONSULT-III Function \[4WAS\(MAIN\)/RAS/HICAS\]"](#).
- ICC: Refer to [CCS-24, "CONSULT-III Function \(ICC\)"](#).

Are the memories erased?

YES >> INSPECTION END

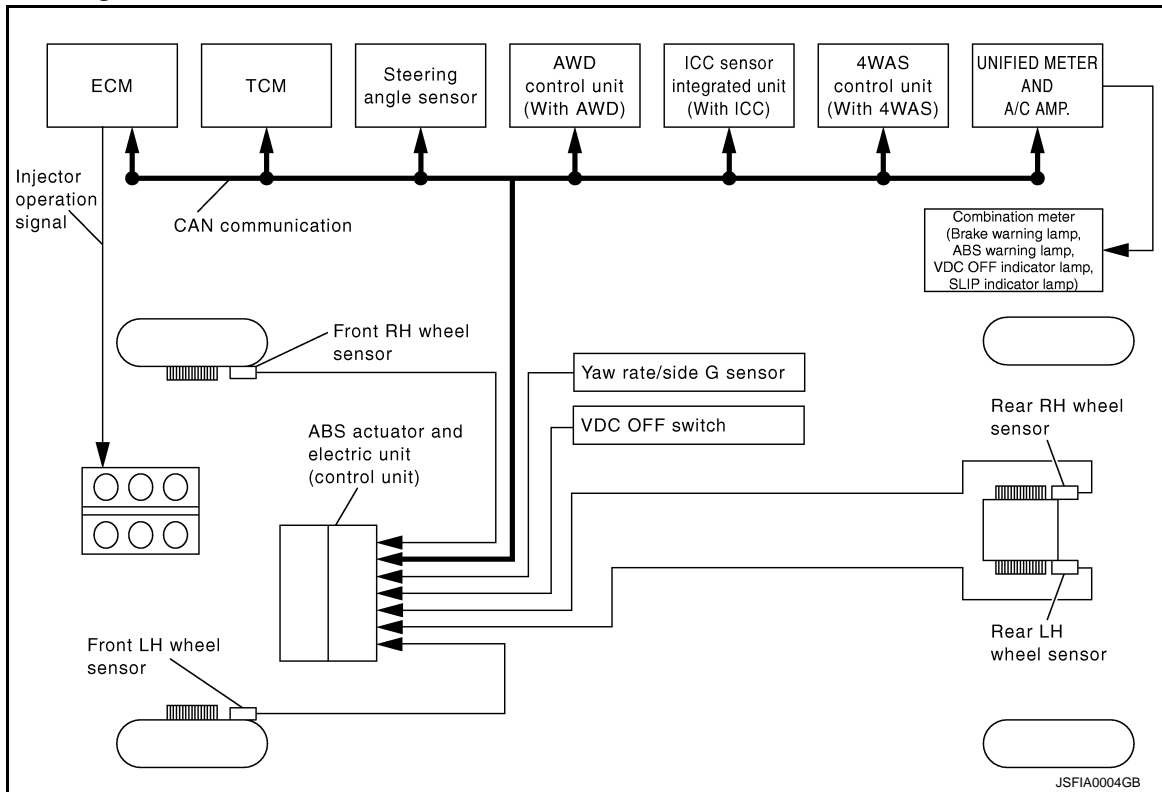
NO >> Check the items indicated by the self-diagnosis.

A  
B  
C  
D  
E  
BRC  
G  
H  
I  
J  
K  
L  
M  
N  
O  
P

# SYSTEM DESCRIPTION

## VDC

### System Diagram

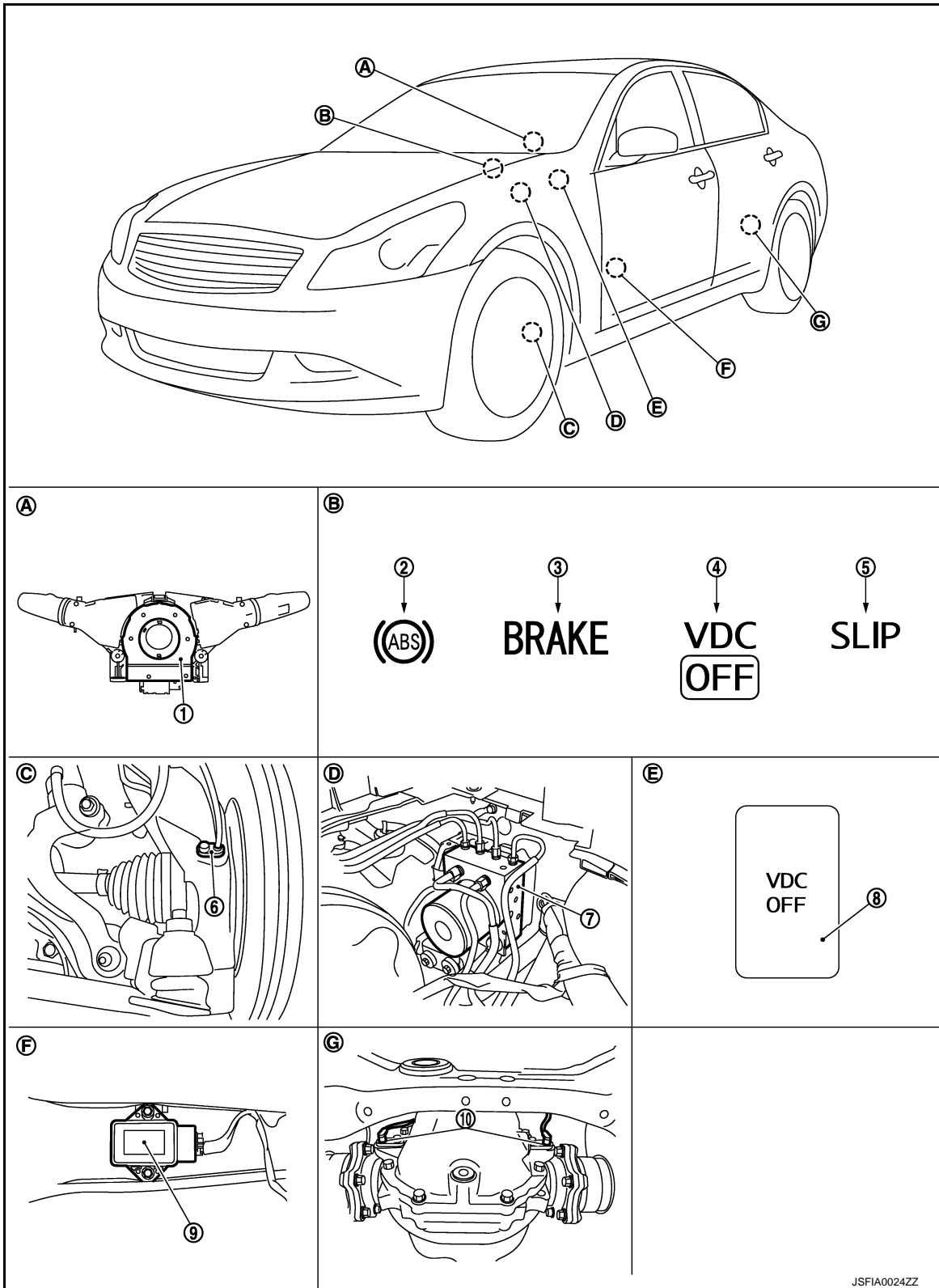


### System Description

INFOID:000000001832453

- Vehicle Dynamics Control system detects driver's steering operation amount and brake pedal travel from steering angle sensor and pressure sensor. Using information from yaw rate/side G sensor and wheel sensor, VDC judges driving condition (conditions of under steer and over steer) to improve vehicle driving stability by controlling brake application to 4 wheels and engine output.
- During VDC operation, it informs driver of system operation by flashing SLIP indicator lamp.
- Electrical system diagnosis by CONSULT-III is available.

For USA



- |                           |                        |                       |
|---------------------------|------------------------|-----------------------|
| 1. Steering angle sensor  | 2. ABS warning lamp    | 3. Brake warning lamp |
| 4. VDC OFF indicator lamp | 5. SLIP indicator lamp | 6. Front wheel sensor |

JSFIA0024ZZ

A  
B  
C  
D  
E  
BRC  
G  
H  
I  
J  
K  
L  
M  
N  
O  
P

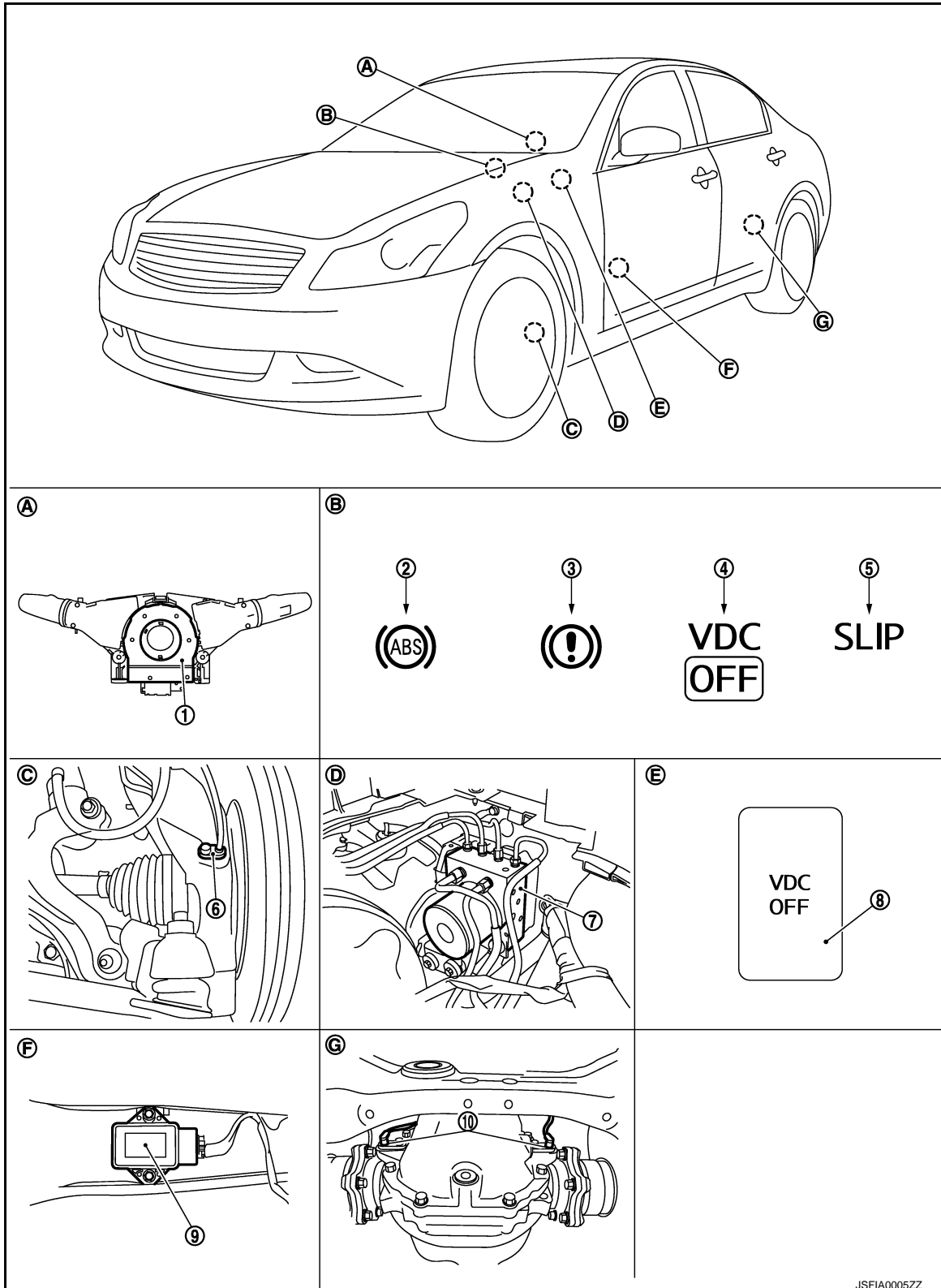
# VDC

[VDC/TCS/ABS]

## < SYSTEM DESCRIPTION >

- 7. ABS actuator and electric unit (control unit)
- 8. VDC OFF switch
- 9. Yaw rate/side G sensor
- 10. Rear wheel sensor
- A. Back of spiral cable assembly
- B. Combination meter
- C. Steering knuckle
- D. Inside brake master cylinder cover
- E. Instrument driver lower panel
- F. Under center console
- G. Rear final drive assembly

For Canada



JSFIA0005ZZ

< SYSTEM DESCRIPTION >

- |  |                                  |                           |
|--|----------------------------------|---------------------------|
| 1. Steering Angle sensor                         | 2. ABS warning lamp              | 3. Brake warning lamp     |
| 4. VDC OFF indicator lamp                        | 5. SLIP indicator lamp           | 6. Front wheel sensor     |
| 7. ABS actuator and electric unit (control unit) | 8. VDC OFF switch                | 9. Yaw rate/side G sensor |
| 10. Rear wheel sensor                            |                                  |                           |
| A. Back of spiral cable assembly                 | B. Combination meter             | C. Steering knuckle       |
| D. Inside brake master cylinder cover            | E. Instrument driver lower panel | F. Under center console   |
| G. Rear final drive assembly                     |                                  |                           |

Component Description

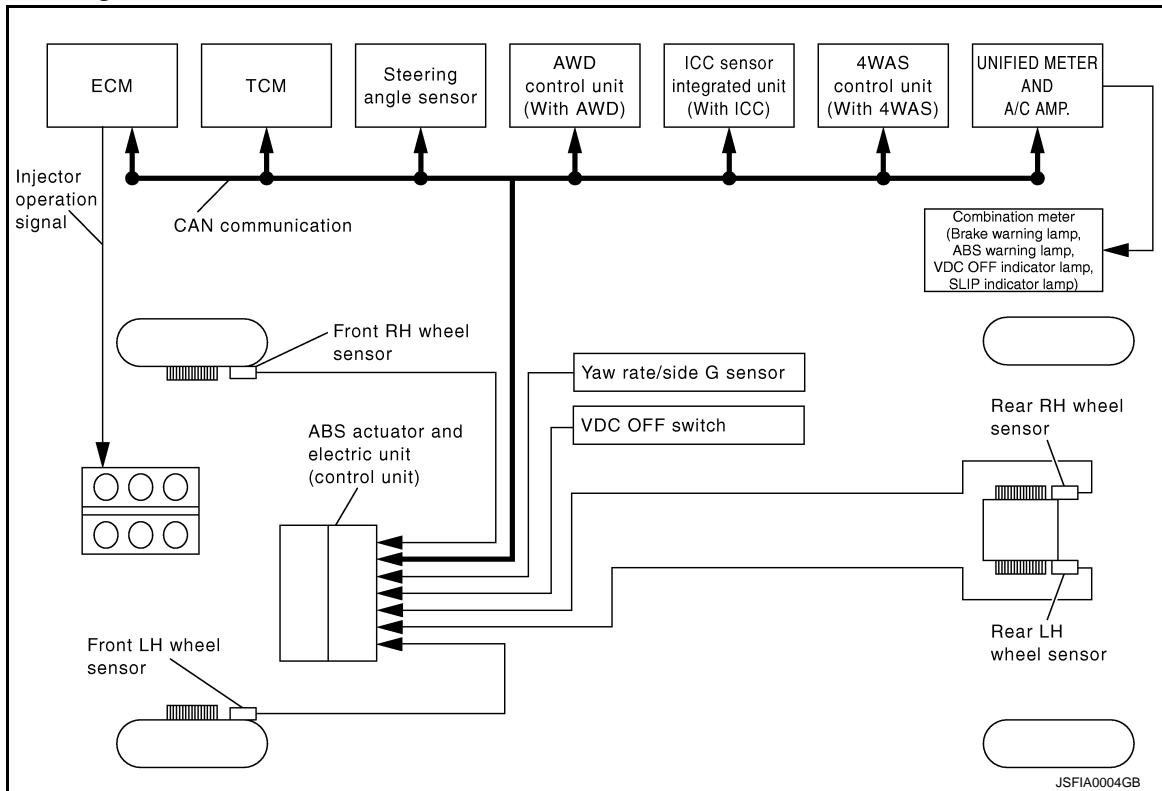
INFOID:000000001832455

Component parts		Reference
ABS actuator and electric unit (control unit)	Pump	<a href="#">BRC-40, "Description"</a>
	Motor	
	Actuator relay (Main relay)	<a href="#">BRC-42, "Description"</a>
	Solenoid valve	<a href="#">BRC-49, "Description"</a>
	Pressure sensor	<a href="#">BRC-57, "Description"</a>
	VDC switch-over valve (USV1, USV2, HSV1, HSV2)	<a href="#">BRC-64, "Description"</a>
Wheel sensor	<a href="#">BRC-31, "Description"</a>	
Yaw rate/side G sensor	<a href="#">BRC-61, "Description"</a>	
Steering angle sensor	<a href="#">BRC-59, "Description"</a>	
VDC OFF switch	<a href="#">BRC-73, "Description"</a>	
ABS warning lamp	<a href="#">BRC-75, "Description"</a>	
Brake warning lamp	<a href="#">BRC-76, "Description"</a>	
VDC OFF indicator lamp	<a href="#">BRC-77, "Description"</a>	
SLIP indicator lamp	<a href="#">BRC-78, "Description"</a>	

A  
B  
C  
D  
E  
BRC  
G  
H  
I  
J  
K  
L  
M  
N  
O  
P

## TCS

## System Diagram



## System Description

INFOID:000000001832457

- Traction Control System is a function that electronically controls engine torque, brake fluid pressure and A/T gear position to ensure the optimum slippage ratio at drive wheels by computing wheel speed signals from 4 wheel sensors. When ABS actuator and electric unit (control unit) detects a spin at drive wheels (rear wheels), it compares wheel speed signals from all 4 wheels. At this time, LH and RH rear brake fluid pressure are controlled, while fuel being cut to engine and throttle valve being closed to reduce engine torque by the control unit. Further more, throttle position is continuously controlled to ensure the optimum engine torque at all times.
- During TCS operation, it informs driver of system operation by flashing SLIP indicator lamp.
- Electrical system diagnosis by CONSULT-III is available.

# TCS

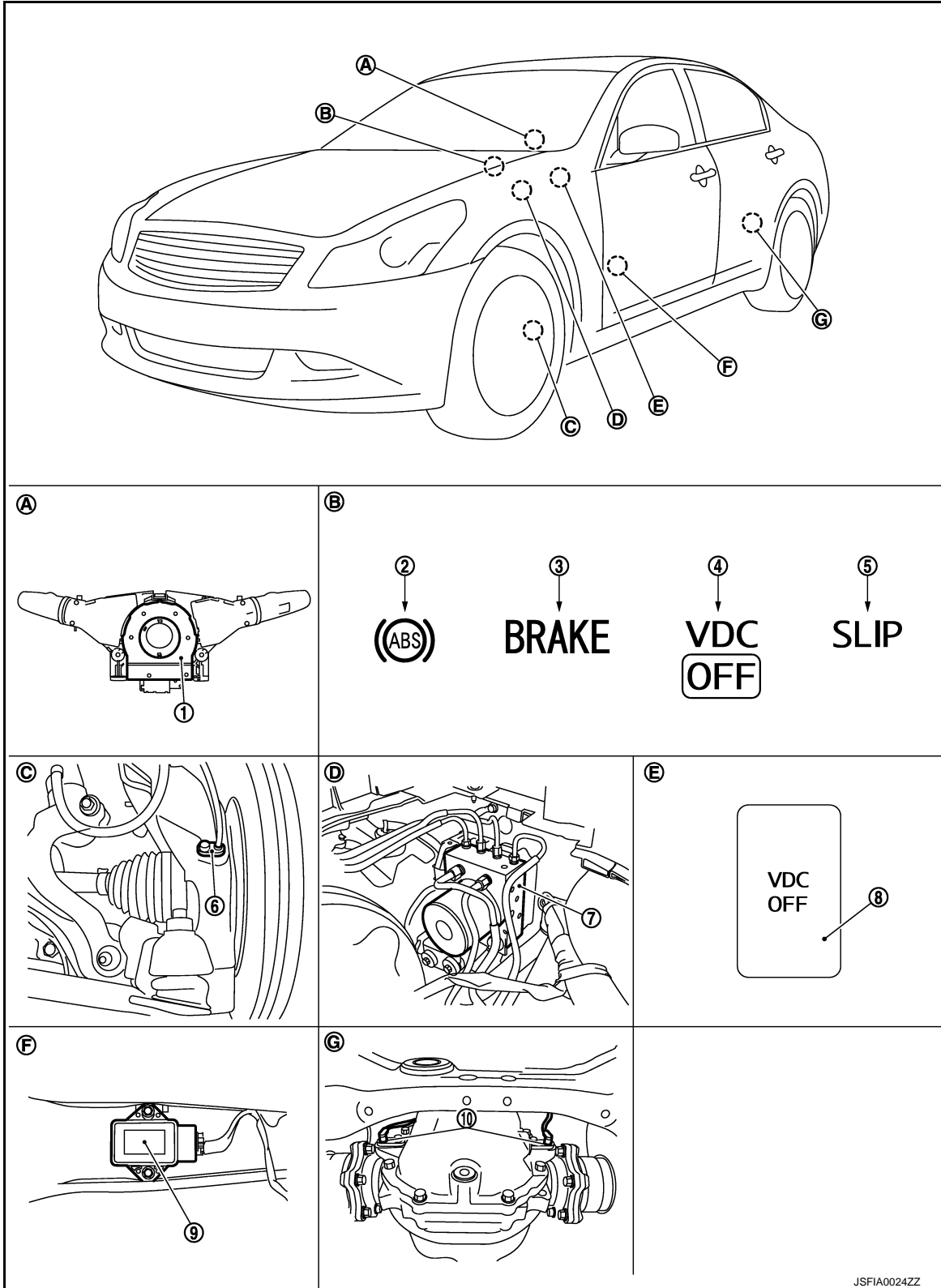
[VDC/TCS/ABS]

< SYSTEM DESCRIPTION >

## Component Parts Location

INFOID:000000001832458

For USA



- 1. Steering angle sensor
- 4. VDC OFF indicator lamp

- 2. ABS warning lamp
- 5. SLIP indicator lamp

- 3. Brake warning lamp
- 6. Front wheel sensor

JSFIA0024ZZ

A  
B  
C  
D  
E  
F  
G  
H  
I  
J  
K  
L  
M  
N  
O  
P

BRC

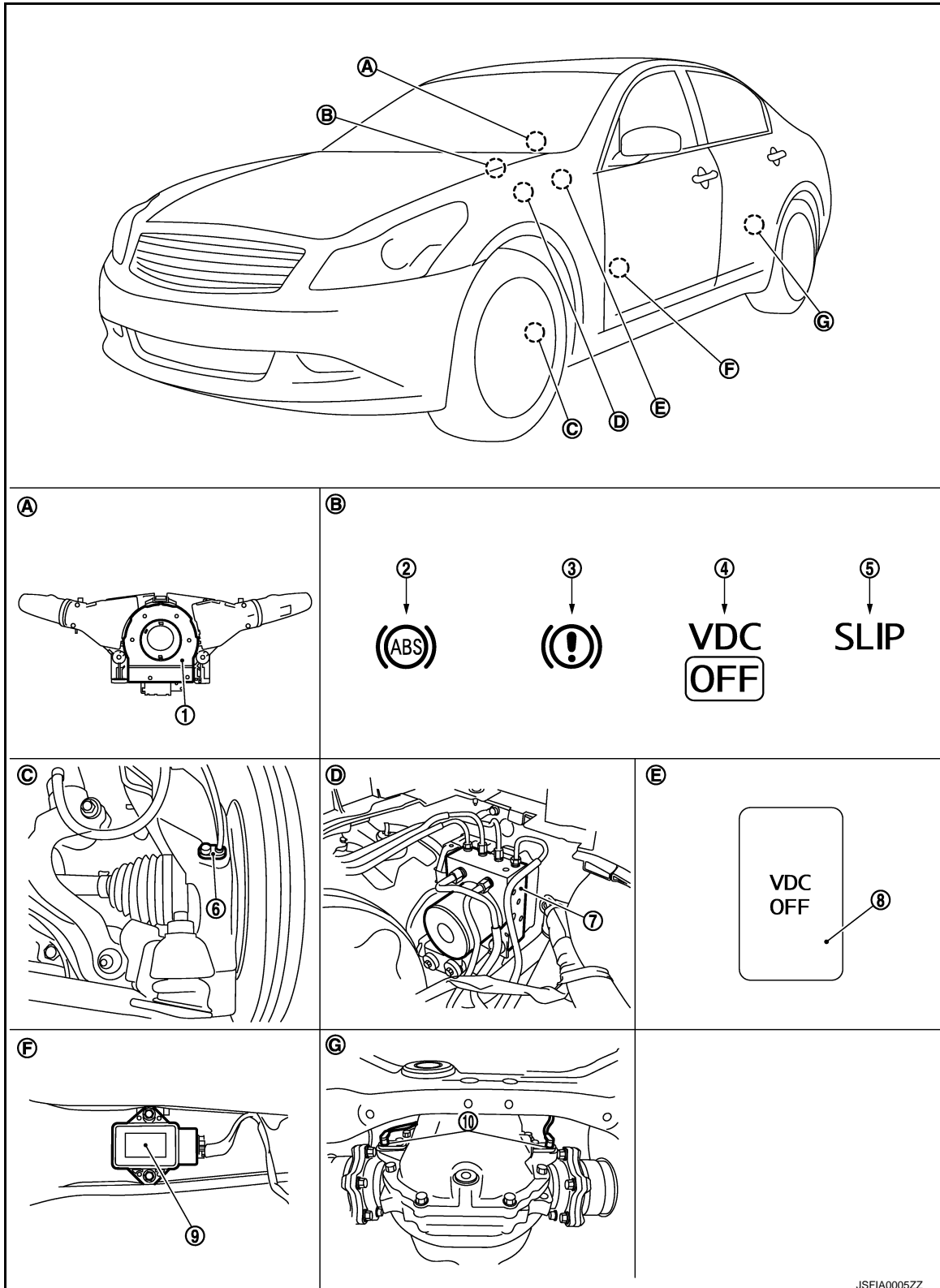
# TCS

[VDC/TCS/ABS]

## < SYSTEM DESCRIPTION >

- 7. ABS actuator and electric unit (control unit)
- 8. VDC OFF switch
- 9. Yaw rate/side G sensor
- 10. Rear wheel sensor
- A. Back of spiral cable assembly
- B. Combination meter
- C. Steering knuckle
- D. Inside brake master cylinder cover
- E. Instrument driver lower panel
- F. Under center console
- G. Rear final drive assembly

For Canada



JSFIA0005ZZ



# TCS

## < SYSTEM DESCRIPTION >

[VDC/TCS/ABS]

- |  |                                  |                           |   |
|--|----------------------------------|---------------------------|---|
| 1. Steering Angle sensor                         | 2. ABS warning lamp              | 3. Brake warning lamp     | A |
| 4. VDC OFF indicator lamp                        | 5. SLIP indicator lamp           | 6. Front wheel sensor     | B |
| 7. ABS actuator and electric unit (control unit) | 8. VDC OFF switch                | 9. Yaw rate/side G sensor | B |
| 10. Rear wheel sensor                            |                                  |                           |   |
| A. Back of spiral cable assembly                 | B. Combination meter             | C. Steering knuckle       | C |
| D. Inside brake master cylinder cover            | E. Instrument driver lower panel | F. Under center console   | C |
| G. Rear final drive assembly                     |                                  |                           |   |

## Component Description

INFOID:000000001832459

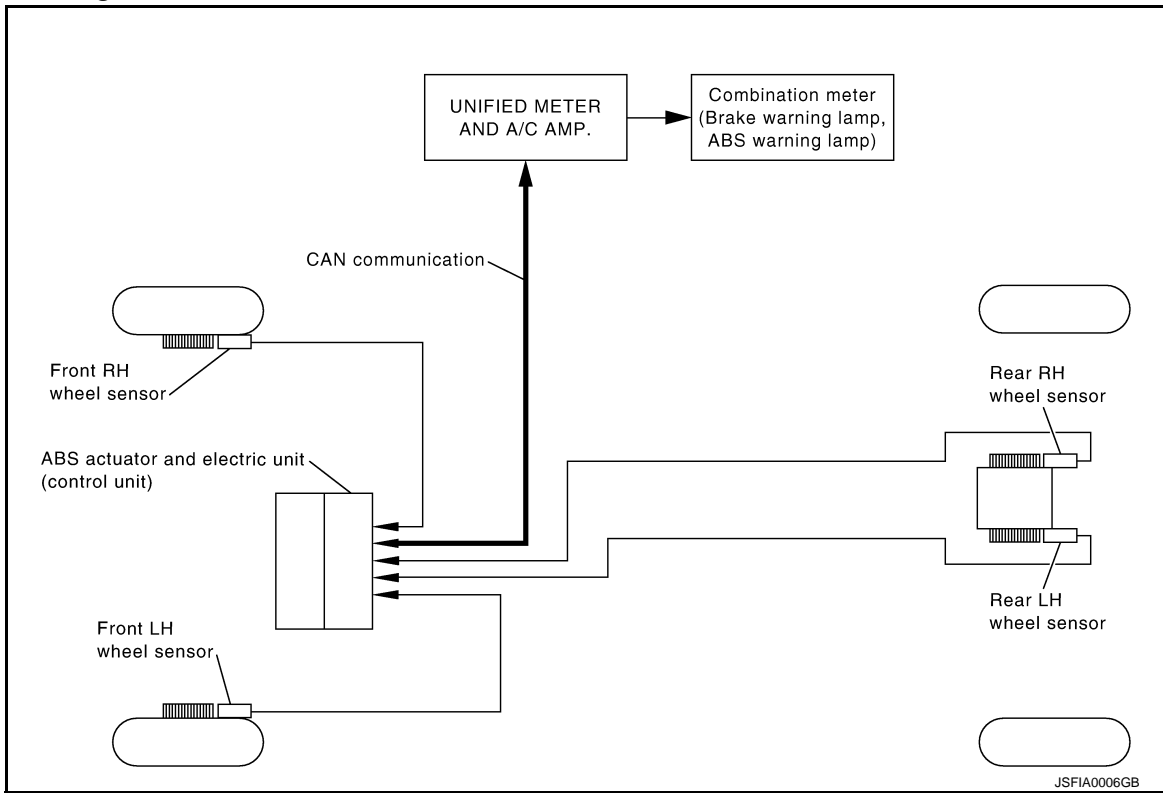
Component parts		Reference
ABS actuator and electric unit (control unit)	Pump	<a href="#">BRC-40, "Description"</a>
	Motor	
	Actuator relay (Main relay)	<a href="#">BRC-42, "Description"</a>
	Solenoid valve	<a href="#">BRC-49, "Description"</a>
	Pressure sensor	<a href="#">BRC-57, "Description"</a>
	VDC switch-over valve (USV1, USV2, HSV1, HSV2)	<a href="#">BRC-64, "Description"</a>
Wheel sensor	<a href="#">BRC-31, "Description"</a>	
Yaw rate/side G sensor	<a href="#">BRC-61, "Description"</a>	
Steering angle sensor	<a href="#">BRC-59, "Description"</a>	
VDC OFF switch	<a href="#">BRC-73, "Description"</a>	
ABS warning lamp	<a href="#">BRC-75, "Description"</a>	
Brake warning lamp	<a href="#">BRC-76, "Description"</a>	
VDC OFF indicator lamp	<a href="#">BRC-77, "Description"</a>	
SLIP indicator lamp	<a href="#">BRC-78, "Description"</a>	

A  
B  
C  
D  
E  
BRC  
G  
H  
I  
J  
K  
L  
M  
N  
O  
P

ABS

System Diagram

INFOID:000000001832460



System Description

INFOID:000000001832461

- Anti-Lock Braking System is a function that detects wheel revolution while braking, electronically controls braking force, and prevents wheel locking during sudden braking. It improves handling stability and maneuverability for avoiding obstacles.
- Electrical system diagnosis by CONSULT-III is available.

# ABS

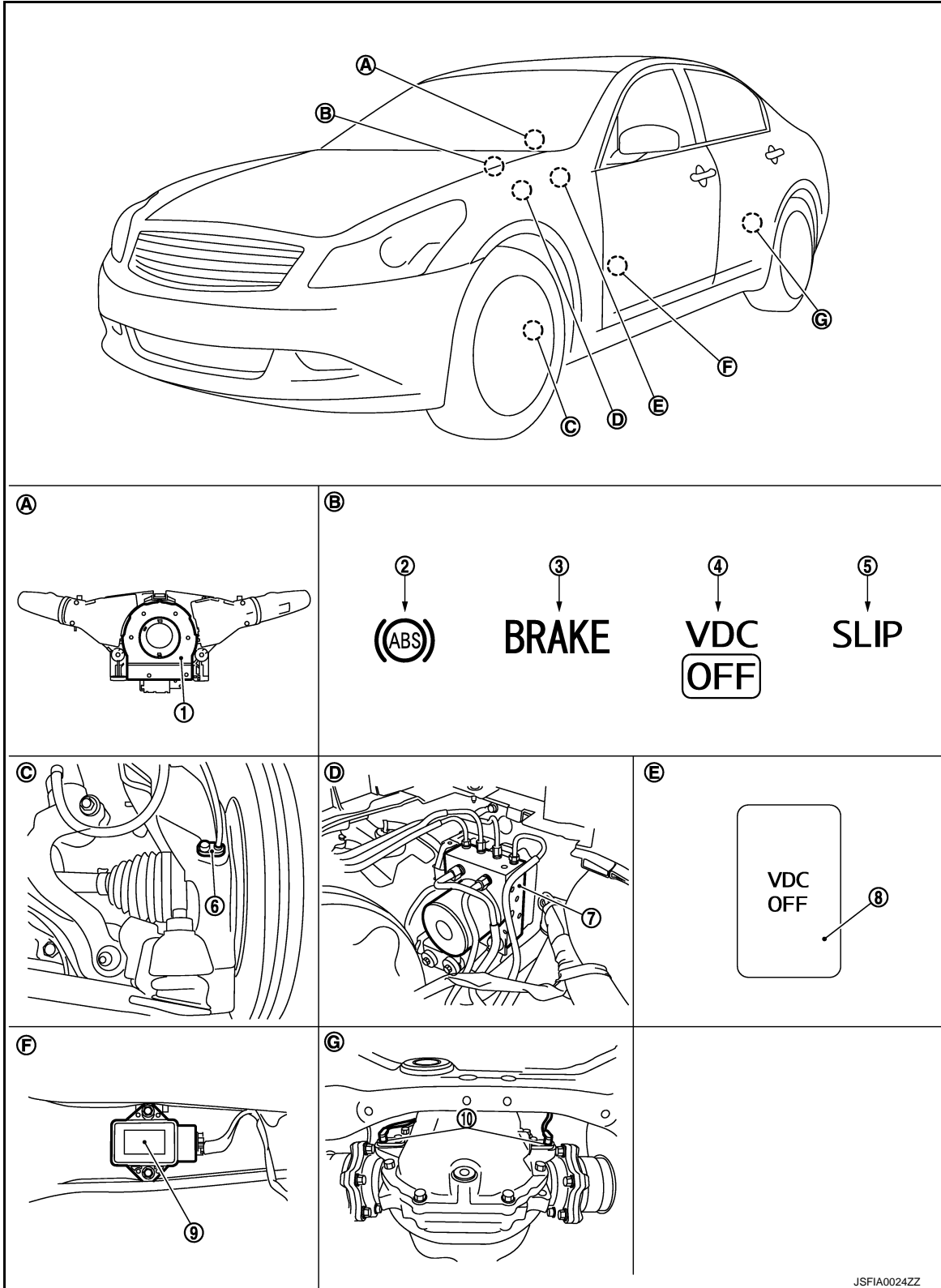
< SYSTEM DESCRIPTION >

[VDC/TCS/ABS]

## Component Parts Location

INFOID:000000001832462

For USA



- |                           |                        |                       |
|---------------------------|------------------------|-----------------------|
| 1. Steering angle sensor  | 2. ABS warning lamp    | 3. Brake warning lamp |
| 4. VDC OFF indicator lamp | 5. SLIP indicator lamp | 6. Front wheel sensor |

JSFIA0024ZZ

A  
B  
C  
D  
E  
BRC  
G  
H  
I  
J  
K  
L  
M  
N  
O  
P

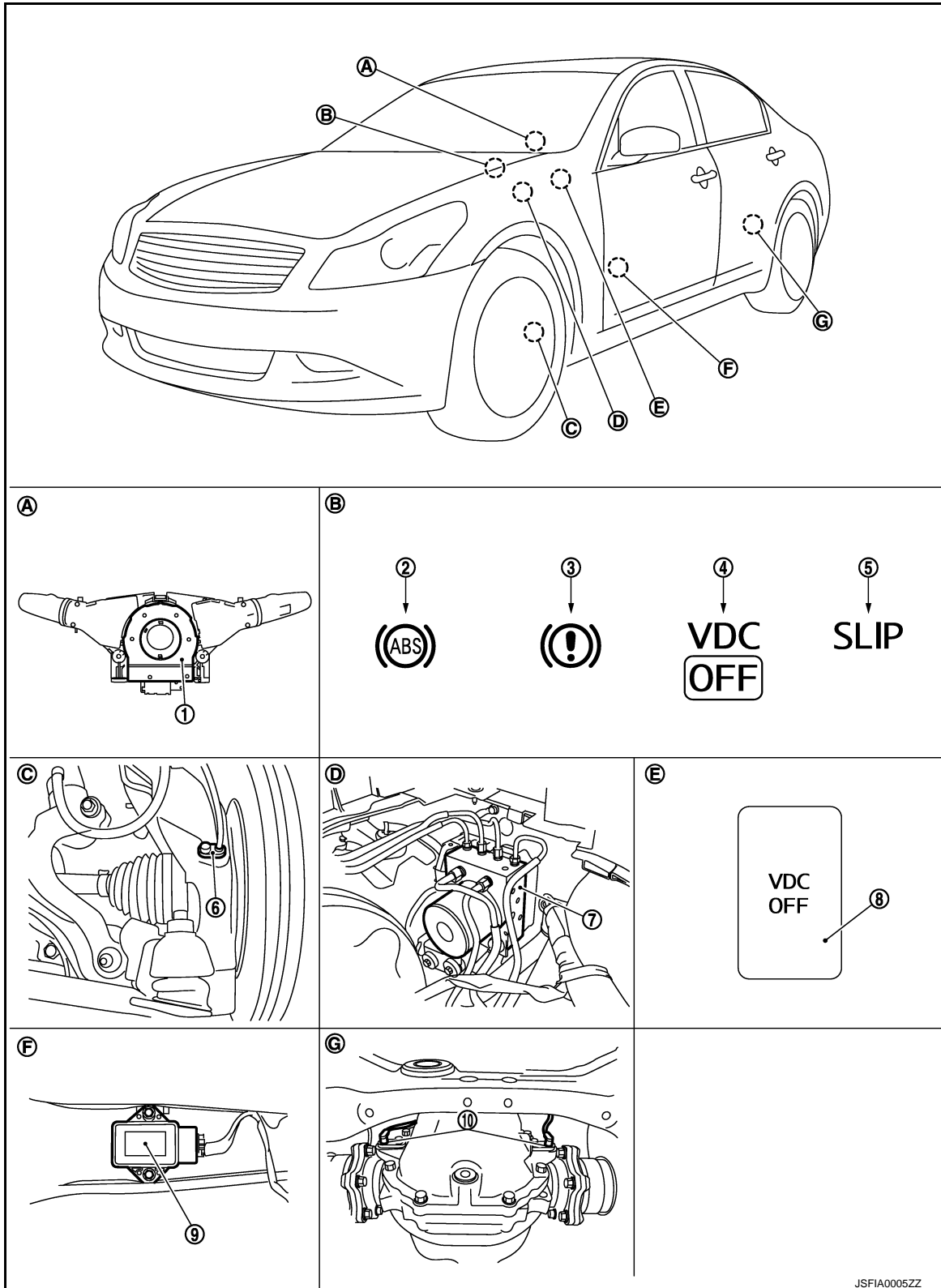
# ABS

## < SYSTEM DESCRIPTION >

[VDC/TCS/ABS]

- 7. ABS actuator and electric unit (control unit)
- 8. VDC OFF switch
- 9. Yaw rate/side G sensor
- 10. Rear wheel sensor
- A. Back of spiral cable assembly
- B. Combination meter
- C. Steering knuckle
- D. Inside brake master cylinder cover
- E. Instrument driver lower panel
- F. Under center console
- G. Rear final drive assembly

For Canada



JSFIA0005ZZ

# ABS

< SYSTEM DESCRIPTION >

[VDC/TCS/ABS]

- |  |                                  |                           |   |
|--|----------------------------------|---------------------------|---|
| 1. Steering Angle sensor                         | 2. ABS warning lamp              | 3. Brake warning lamp     |   |
| 4. VDC OFF indicator lamp                        | 5. SLIP indicator lamp           | 6. Front wheel sensor     | A |
| 7. ABS actuator and electric unit (control unit) | 8. VDC OFF switch                | 9. Yaw rate/side G sensor |   |
| 10. Rear wheel sensor                            |                                  |                           | B |
| A. Back of spiral cable assembly                 | B. Combination meter             | C. Steering knuckle       |   |
| D. Inside brake master cylinder cover            | E. Instrument driver lower panel | F. Under center console   | C |
| G. Rear final drive assembly                     |                                  |                           |   |

## Component Description

INFOID:000000001832463

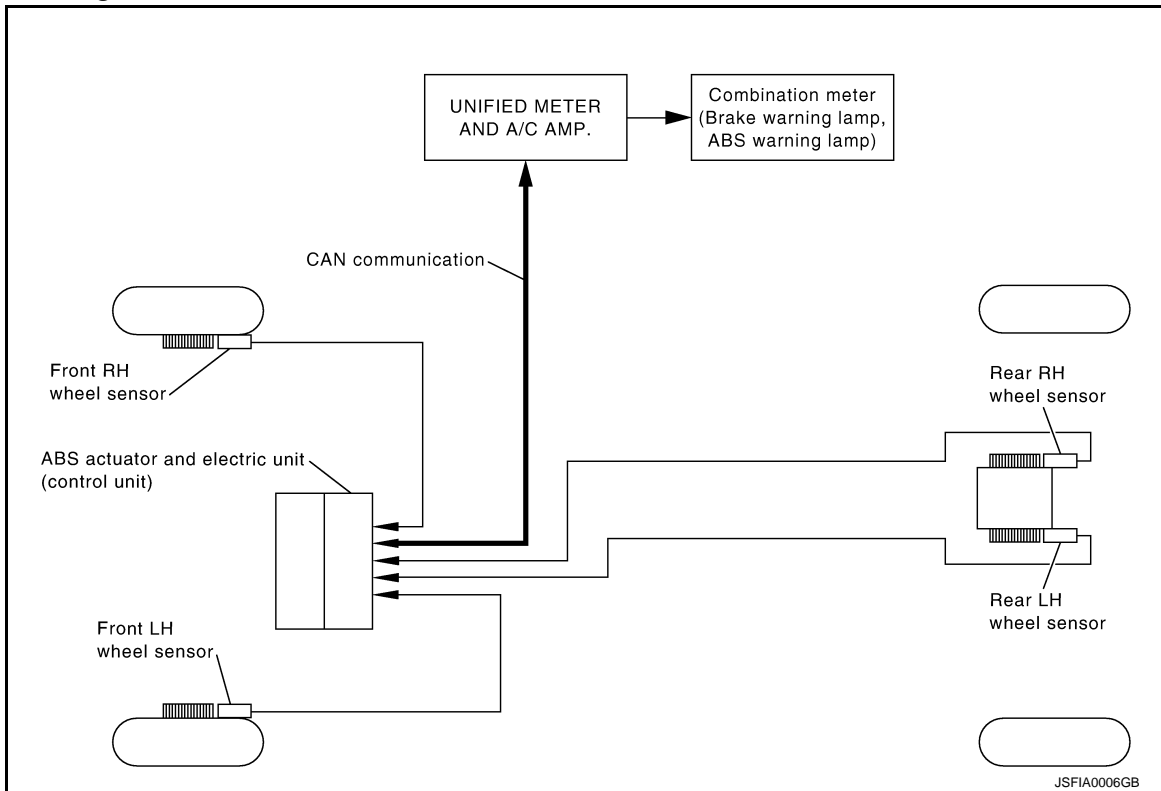
Component parts	Reference	
ABS actuator and electric unit (control unit)	Pump	<a href="#">BRC-40, "Description"</a>
	Motor	
	Actuator relay (Main relay)	<a href="#">BRC-42, "Description"</a>
	Solenoid valve	<a href="#">BRC-49, "Description"</a>
Wheel sensor	<a href="#">BRC-31, "Description"</a>	
ABS warning lamp	<a href="#">BRC-75, "Description"</a>	
Brake warning lamp	<a href="#">BRC-76, "Description"</a>	

A  
B  
C  
D  
E  
BRC  
G  
H  
I  
J  
K  
L  
M  
N  
O  
P

## EBD

## System Diagram

INFOID:000000001832464

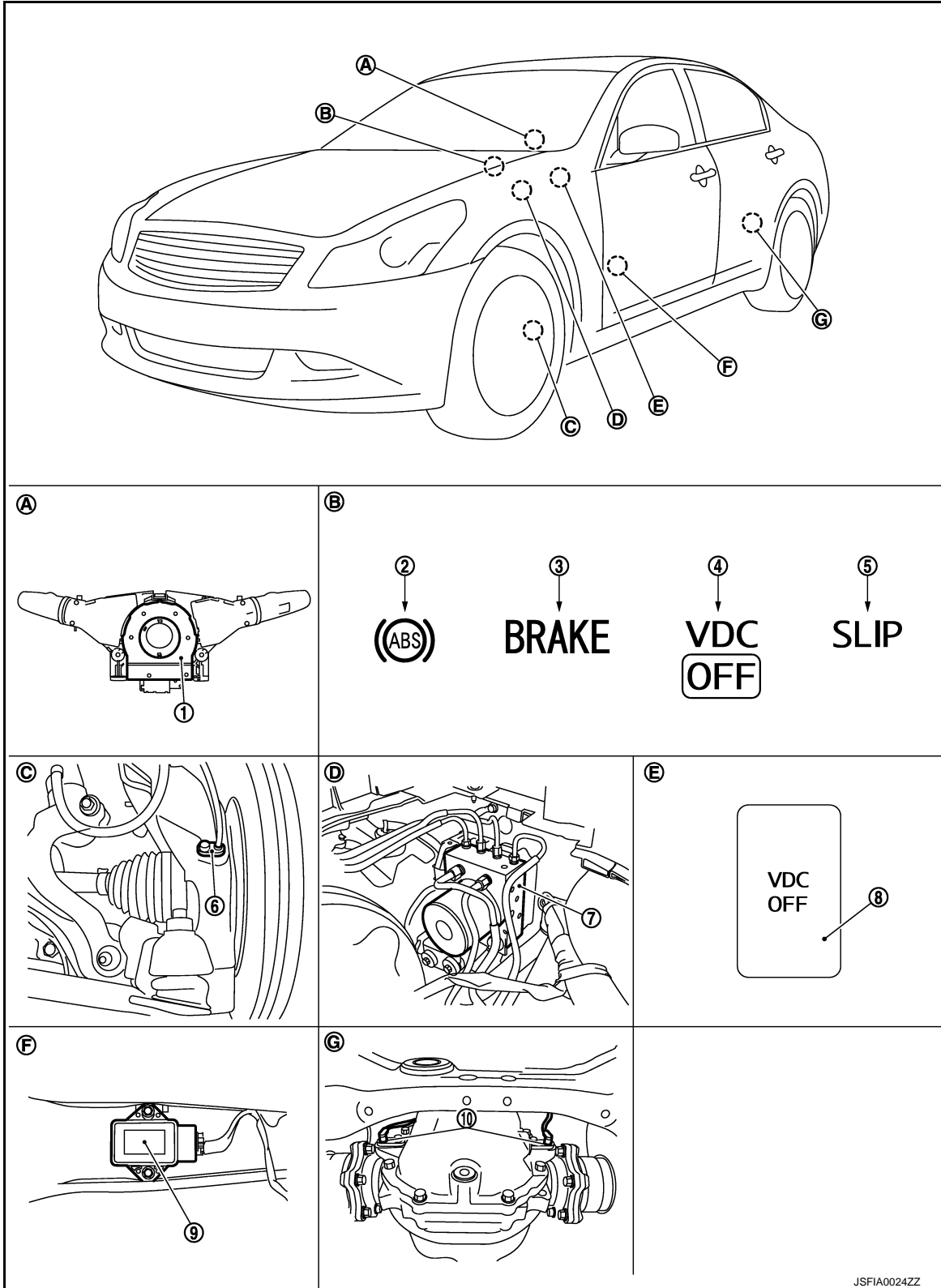


## System Description

INFOID:000000001832465

- Electric Brake force Distribution is a following function. ABS actuator and electric unit (control unit) detects subtle slippages between the front and rear wheels during braking. Then is electronically controls the rear braking force (brake fluid pressure) to reducing and reduces rear wheel slippage. Accordingly it improves vehicle stability.
- Electrical system diagnosis by CONSULT-III is available.

For USA



- |                           |                        |                       |
|---------------------------|------------------------|-----------------------|
| 1. Steering angle sensor  | 2. ABS warning lamp    | 3. Brake warning lamp |
| 4. VDC OFF indicator lamp | 5. SLIP indicator lamp | 6. Front wheel sensor |

JSFIA0024ZZ

A  
B  
C  
D  
E  
BRC  
G  
H  
I  
J  
K  
L  
M  
N  
O  
P

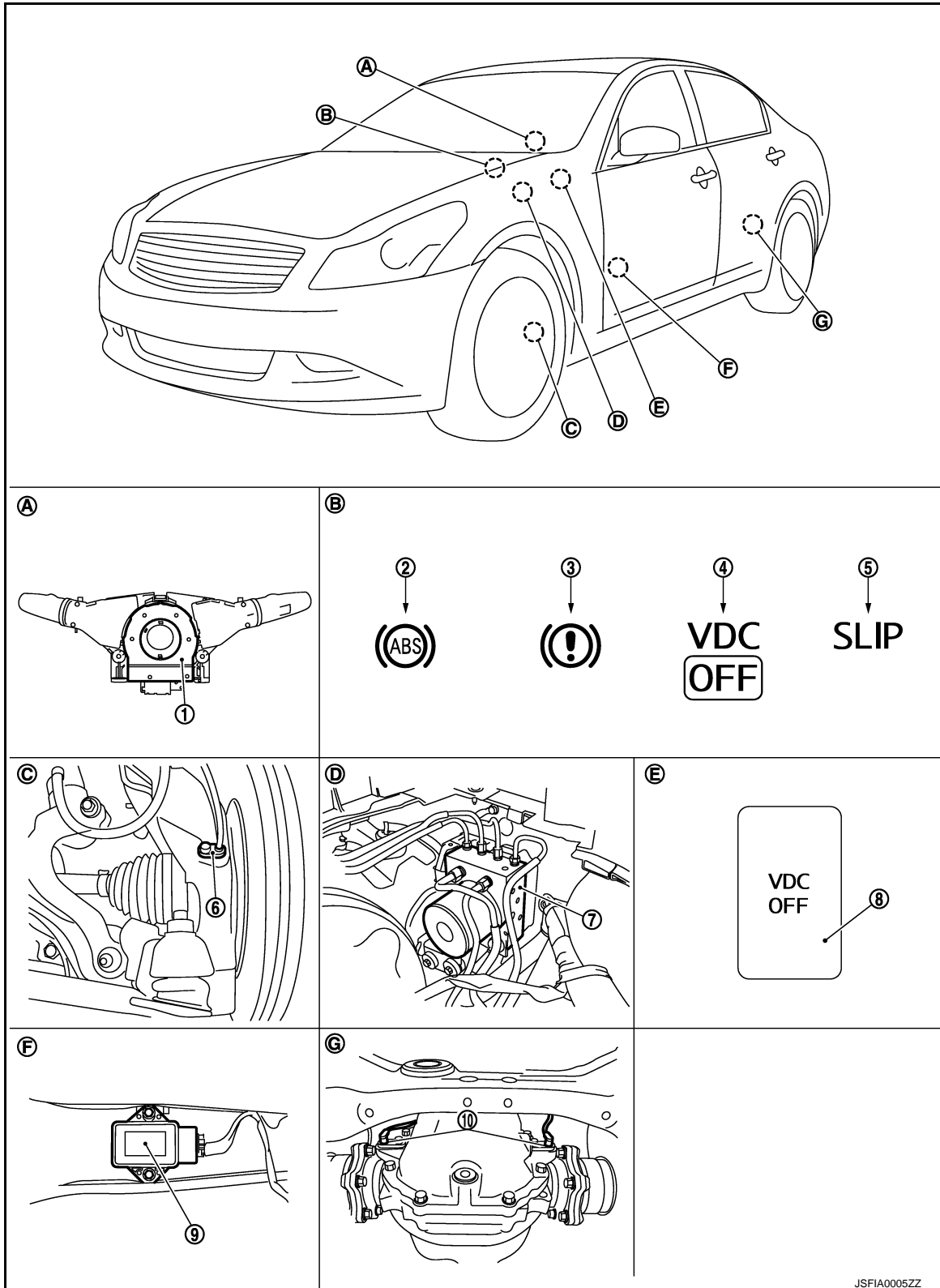
# EBD

[VDC/TCS/ABS]

## < SYSTEM DESCRIPTION >

- 7. ABS actuator and electric unit (control unit)
- 8. VDC OFF switch
- 9. Yaw rate/side G sensor
- 10. Rear wheel sensor
- A. Back of spiral cable assembly
- B. Combination meter
- C. Steering knuckle
- D. Inside brake master cylinder cover
- E. Instrument driver lower panel
- F. Under center console
- G. Rear final drive assembly

For Canada



JSFIA0005ZZ



< SYSTEM DESCRIPTION >

- |  |                                  |                           |
|--|----------------------------------|---------------------------|
| 1. Steering Angle sensor                         | 2. ABS warning lamp              | 3. Brake warning lamp     |
| 4. VDC OFF indicator lamp                        | 5. SLIP indicator lamp           | 6. Front wheel sensor     |
| 7. ABS actuator and electric unit (control unit) | 8. VDC OFF switch                | 9. Yaw rate/side G sensor |
| 10. Rear wheel sensor                            |                                  |                           |
| A. Back of spiral cable assembly                 | B. Combination meter             | C. Steering knuckle       |
| D. Inside brake master cylinder cover            | E. Instrument driver lower panel | F. Under center console   |
| G. Rear final drive assembly                     |                                  |                           |

A  
B  
C  
D

Component Description

INFOID:000000001832467

Component parts		Reference
ABS actuator and electric unit (control unit)	Pump	<a href="#">BRC-40, "Description"</a>
	Motor	
	Actuator relay (Main relay)	<a href="#">BRC-42, "Description"</a>
	Solenoid valve	<a href="#">BRC-49, "Description"</a>
Wheel sensor		<a href="#">BRC-31, "Description"</a>
ABS warning lamp		<a href="#">BRC-75, "Description"</a>
Brake warning lamp		<a href="#">BRC-76, "Description"</a>

E

BRC

G

H

I

J

K

L

M

N

O

P

# DIAGNOSIS SYSTEM [ABS ACTUATOR AND ELECTRIC UNIT (CONTROL UNIT)]

< SYSTEM DESCRIPTION >

[VDC/TCS/ABS]

## DIAGNOSIS SYSTEM [ABS ACTUATOR AND ELECTRIC UNIT (CONTROL UNIT)]

### CONSULT-III Function

INFOID:000000001832468

#### FUNCTION

CONSULT-III can display each diagnostic item using the diagnostic test modes shown following.

Diagnostic test mode	Function
Work support	This mode enables a technician to adjust some devices faster and more accurately by following the indications on CONSULT-III.
Self-diagnostic results	Self-diagnostic results can be read and erased quickly.
Data monitor	Input/Output data in the ABS actuator and electric unit (control unit) can be read.
Active test	Diagnostic test mode is which CONSULT-III drives some actuators apart from the ABS actuator and electric unit (control unit) and also shifts some parameters in a specified range.
ECU part number	ABS actuator and electric unit (control unit) part number can be read.

#### SELF-DIAG RESULTS MODE

##### Operation Procedure

Before performing the self-diagnosis, start engine and drive vehicle at 30 km/h (19 MPH) or more for approximately 1 minute.

##### How to Erase Self-diagnosis Results

After erasing DTC memory, start engine and drive vehicle at 30 km/h (19 MPH) or more for approximately 1 minute as the final inspection, and make sure that the ABS warning lamp, VDC OFF indicator lamp, SLIP indicator lamp and brake warning lamp turn OFF.

##### **CAUTION:**

**If memory cannot be erased, perform applicable diagnosis.**

##### **NOTE:**

- When the wheel sensor malfunctions, after inspecting the wheel sensor system, the ABS warning lamp, VDC OFF indicator lamp, SLIP indicator lamp and brake warning lamp will not turn OFF even when the system is normal unless the vehicle is driving at approximately 30 km/h (19 MPH) or more for approximately 1 minute.
- Brake warning lamp will turn ON in case of parking brake operation (when switch is ON) or of brake fluid level switch operation (when brake fluid is insufficient).
- VDC OFF switch should not stay "ON" position.

##### Display Item List

Refer to [BRC-88, "DTC No. Index"](#).

#### DATA MONITOR MODE

##### Display Item List

×: Applicable ▼: Optional item

Monitor item (Unit)	SELECT MONITOR ITEM		Remarks
	ECU INPUT SIGNALS	MAIN SIGNALS	
FR LH SENSOR [km/h (MPH)]	×	×	Wheel speed
FR RH SENSOR [km/h (MPH)]	×	×	
RR LH SENSOR [km/h (MPH)]	×	×	
RR RH SENSOR [km/h (MPH)]	×	×	
STOP LAMP SW (On/Off)	×	×	Stop lamp switch signal status

# DIAGNOSIS SYSTEM [ABS ACTUATOR AND ELECTRIC UNIT (CONTROL UNIT)]

< SYSTEM DESCRIPTION >

[VDC/TCS/ABS]

Monitor item (Unit)	SELECT MONITOR ITEM		Remarks		
	ECU INPUT SIGNALS	MAIN SIGNALS			
BATTERY VOLT (V)	×	×	Battery voltage supplied to the ABS actuator and electric unit (control unit)	A B	
GEAR	×	×	Gear position determined by TCM		
SLCT LVR POSI	×	×	A/T selector lever position	C	
OFF SW (On/Off)	×	×	VDC OFF switch		
YAW RATE SEN (d/s)	×	×	Yaw rate detected by yaw rate/side G sensor	D	
4WD MODE MON	×	×	AWD activated (only AWD models)		
ACCEL POS SIG (%)	×	▼	Throttle actuator opening/closing is displayed (Linked with accelerator pedal)	E	
SIDE G-SENSOR (m/s <sup>2</sup> )	×	▼	Transverse G detected by yaw rate/side G sensor	<b>BRC</b>	
STR ANGLE SIG (°)	×	▼	Steering angle detected by steering angle sensor		
PRESS SENSOR (bar)	×	▼	Brake fluid pressure detected by pressure sensor	G	
ENGINE RPM [tr/min (rpm)]	×	▼	Engine speed	H	
FLUID LEV SW (On/Off)	×	▼	Brake fluid level switch signal status		
PARK BRAKE SW (On/Off)	×	▼	Parking brake switch signal status	I	
FR RH IN SOL (On/Off)	▼	×	Operation status of each solenoid valve	J	
FR RH OUT SOL (On/Off)	▼	×		K	
FR LH IN SOL (On/Off)	▼	×		L	
FR LH OUT SOL (On/Off)	▼	×		M	
RR RH IN SOL (On/Off)	▼	×		N	
RR RH OUT SOL (On/Off)	▼	×			
RR LH IN SOL (On/Off)	▼	×			
RR LH OUT SOL (On/Off)	▼	×			
MOTOR RELAY (On/Off)	▼	×		Motor and motor relay operation	O
ACTUATOR RLY (On/Off)	▼	×		Actuator relay operation	
ABS WARN LAMP (On/Off)	▼	×	ABS warning lamp	P	
OFF LAMP (On/Off)	▼	×	VDC OFF indicator lamp		
SLIP LAMP (On/Off)	▼	×	SLIP indicator lamp		
BST OPER SIG	▼	▼	Not applied but displayed.		

# DIAGNOSIS SYSTEM [ABS ACTUATOR AND ELECTRIC UNIT (CONTROL UNIT)]

< SYSTEM DESCRIPTION >

[VDC/TCS/ABS]

Monitor item (Unit)	SELECT MONITOR ITEM		Remarks
	ECU INPUT SIGNALS	MAIN SIGNALS	
EBD SIGNAL (On/Off)	▼	▼	EBD operation
ABS SIGNAL (On/Off)	▼	▼	ABS operation
TCS SIGNAL (On/Off)	▼	▼	TCS operation
VDC SIGNAL (On/Off)	▼	▼	VDC operation
EBD FAIL SIG (On/Off)	▼	▼	EBD fail-safe signal
ABS FAIL SIG (On/Off)	▼	▼	ABS fail-safe signal
TCS FAIL SIG (On/Off)	▼	▼	TCS fail-safe signal
VDC FAIL SIG (On/Off)	▼	▼	VDC fail-safe signal
CRANKING SIG (On/Off)	▼	▼	Crank operation
USV [FR-RL] (On/Off)	▼	▼	VDC switch-over valve
USV [FL-RR] (On/Off)	▼	▼	
HSV [FR-RL] (On/Off)	▼	▼	
HSV [FL-RR] (On/Off)	▼	▼	
V/R OUTPUT (On/Off)	▼	▼	Solenoid valve relay activated
M/R OUTPUT (On/Off)	▼	▼	Actuator motor and motor relay activated
4WD FAIL REQ (On/Off)	▼	▼	AWD control unit fail-safe signal (only AWD models)
SNOW MODE SW (On/Off)	▼	▼	SNOW mode switch
M-MODE SIG (On/Off)	▼	▼	Manual mode activated (only A/T models)

## ACTIVE TEST MODE

### CAUTION:

- Do not perform active test while driving vehicle.
- Make sure to completely bleed air from brake system.
- The active test cannot be performed with the ABS warning lamp, VDC OFF indicator lamp, SLIP indicator lamp and brake warning lamp are on.
- ABS warning lamp, VDC OFF indicator lamp, SLIP indicator lamp and brake warning lamp are on during active test.
- Erase memory of ICC system after implementing active test.

### NOTE:

- When active test is performed while depressing the pedal, the pedal depression amount will change. This is normal. (Only solenoid valve and ABS motor.)
- "TEST IS STOPPED" is displayed 10 seconds after operation start.
- After "TEST IS STOPPED" is displayed, to perform test again.

Test Item

# DIAGNOSIS SYSTEM [ABS ACTUATOR AND ELECTRIC UNIT (CONTROL UNIT)]

< SYSTEM DESCRIPTION >

[VDC/TCS/ABS]

## ABS SOLENOID VALVE

- Touch "Up", "Keep" and "Down". Then use screen monitor to check that solenoid valve operates as shown in the table below.

Test item	Display item (Note)	Display		
		Up	Keep	Down
FR RH SOL	FR RH IN SOL	Off	On	On
	FR RH OUT SOL	Off	Off	On*
	USV[FR-RL]	Off	Off	Off
	HSV[FR-RL]	Off	Off	Off
FR LH SOL	FR LH IN SOL	Off	On	On
	FR LH OUT SOL	Off	Off	On*
	USV[FL-RR]	Off	Off	Off
	HSV[FL-RR]	Off	Off	Off
RR RH SOL	RR RH IN SOL	Off	On	On
	RR RH OUT SOL	Off	Off	On*
	USV[FL-RR]	Off	Off	Off
	HSV[FL-RR]	Off	Off	Off
RR LH SOL	RR LH IN SOL	Off	On	On
	RR LH OUT SOL	Off	Off	On*
	USV[FR-RL]	Off	Off	Off
	HSV[FR-RL]	Off	Off	Off

\*: On for 1 to 2 seconds after the touch, and then Off.

### NOTE:

A brief moment of On/Off condition occurs every 20 seconds after ignition switch turned ON. This is not malfunction because it is an operation for checking.

## ABS SOLENOID VALVE (ACT)

- Touch "Up", "ACT UP" and "ACT KEEP". Then use screen monitor to check that solenoid valve operates as shown in the table below.

Test item	Display item (Note)	Display		
		Up	ACT UP	ACT KEEP
FR RH ABS SOLENOID (ACT)	FR RH IN SOL	Off	Off	Off
	FR RH OUT SOL	Off	Off	Off
	USV[FR-RL]	Off	On	On
	HSV[FR-RL]	Off	On*	Off
FR LH ABS SOLENOID (ACT)	FR LH IN SOL	Off	Off	Off
	FR LH OUT SOL	Off	Off	Off
	USV[FL-RR]	Off	On	On
	HSV[FL-RR]	Off	On*	Off
RR RH ABS SOLENOID (ACT)	RR RH IN SOL	Off	Off	Off
	RR RH OUT SOL	Off	Off	Off
	USV[FL-RR]	Off	On	On
	HSV[FL-RR]	Off	On*	Off
RR LH ABS SOLENOID (ACT)	RR LH IN SOL	Off	Off	Off
	RR LH OUT SOL	Off	Off	Off
	USV[FR-RL]	Off	On	On
	HSV[FR-RL]	Off	On*	Off

# DIAGNOSIS SYSTEM [ABS ACTUATOR AND ELECTRIC UNIT (CONTROL UNIT)]

< SYSTEM DESCRIPTION >

[VDC/TCS/ABS]

\*: On for 1 to 2 seconds after the touch, and then Off.

**NOTE:**

A brief moment of On/Off condition occurs every 20 seconds after ignition switch turned ON. This is not malfunction because it is an operation for checking.

**ABS MOTOR**

- Touch "On" and "Off" on screen. Make sure motor relay and actuator relay operates as shown in table below.

Test item	Display item	Display	
		On	Off
ABS MOTOR	MOTOR RELAY	On	Off
	ACTUATOR RLY (Note)	On	On

**NOTE:**

A brief moment of On/Off condition occurs every 20 seconds after ignition switch turned ON. This is not malfunction because it is an operation for checking.

# C1101, C1102, C1103, C1104 WHEEL SENSOR-1

< DTC/CIRCUIT DIAGNOSIS >

[VDC/TCS/ABS]

## DTC/CIRCUIT DIAGNOSIS

### C1101, C1102, C1103, C1104 WHEEL SENSOR-1

#### Description

INFOID:0000000001832469

When the sensor rotor rotates, the magnetic field changes. It converts the magnetic field changes to current signals (rectangular wave) and transmits them to the ABS actuator and electric unit (control unit).

#### DTC Logic

INFOID:0000000001832470

#### DTC DETECTION LOGIC

DTC	Display item	Malfunction detected condition	Possible cause
C1101	RR RH SENSOR-1	Circuit of rear RH wheel sensor is open. Or when the sensor power voltage is outside the standard.	<ul style="list-style-type: none"><li>• Harness or connector</li><li>• Wheel sensor</li><li>• ABS actuator and electric unit (control unit)</li></ul>
C1102	RR LH SENSOR-1	Circuit of rear LH wheel sensor is open. Or when the sensor power voltage is outside the standard.	
C1103	FR RH SENSOR-1	Circuit of front RH wheel sensor is open. Or when the sensor power voltage is outside the standard.	
C1104	FR LH SENSOR-1	Circuit of front LH wheel sensor is open. Or when the sensor power voltage is outside the standard.	

#### DTC CONFIRMATION PROCEDURE

##### 1. CHECK SELF-DIAGNOSIS RESULTS

Check the self-diagnosis results.

Self-diagnosis results
RR RH SENSOR-1
RR LH SENSOR-1
FR RH SENSOR-1
FR LH SENSOR-1

Is above displayed on the self-diagnosis display?

- YES >> Proceed to diagnosis procedure. Refer to [BRC-31, "Diagnosis Procedure"](#).  
NO >> INSPECTION END

#### Diagnosis Procedure

INFOID:0000000001832471

#### **CAUTION:**

**Do not check between wheel sensor terminals.**

#### INSPECTION PROCEDURE

##### 1. CHECK TIRES

Check air pressure, wear and size.

Are air pressure, wear and size within standard?

- YES >> GO TO 2.  
NO >> Adjust air pressure, or replace tire.

##### 2. CHECK SENSOR AND SENSOR ROTOR

- Check sensor rotor for damage.
- Check wheel sensor for damage, disconnection or looseness.

Are the sensor and sensor rotor normal?

- YES >> GO TO 3.  
NO >> Repair wheel sensor mount or replace sensor rotor. Then perform the self-diagnosis.

# C1101, C1102, C1103, C1104 WHEEL SENSOR-1

< DTC/CIRCUIT DIAGNOSIS >

[VDC/TCS/ABS]

## 3. CHECK CONNECTOR

1. Turn ignition switch OFF.
2. Disconnect ABS actuator and electric unit (control unit) connector.
3. Disconnect malfunctioning wheel sensor connector.
4. Check terminal to see if it is deformed, disconnected, loose, etc., Repair or replace it if any malfunction condition is found.
5. Reconnect connectors and then perform the self-diagnosis.

Is any item indicated on the self-diagnosis display?

YES >> GO TO 4.

NO >> Poor connection of connector terminal. Repair or replace connector.

## 4. CHECK WHEEL SENSOR HARNESS

1. Turn ignition switch OFF.
2. Disconnect ABS actuator and electric unit (control unit) connector.
3. Disconnect malfunctioning wheel sensor connector.
4. Check continuity between terminals. (Also check continuity when steering wheel is turned right and left and when sensor harness inside the wheel house is moved.)

Measurement terminal for power supply circuit

ABS actuator and electric unit (control unit)		Wheel sensor		Continuity
Connector	Terminal	Connector	Terminal	
E41	9	E27 (Front RH)	1	Existed
	26	E60 (Front LH)		
	7	B33 (Rear RH)		
	6	B34 (Rear LH)		

Measurement terminal for signal circuit

ABS actuator and electric unit (control unit)		Wheel sensor		Continuity
Connector	Terminal	Connector	Terminal	
E41	10	E27 (Front RH)	2	Existed
	5	E60 (Front LH)		
	29	B33 (Rear RH)		
	27	B34 (Rear LH)		

Measurement terminal for ground circuit

ABS actuator and electric unit (control unit)				Continuity
Connector	Terminal	Connector	Terminal	
E41	9, 10	E41	1, 4	Not existed
	26, 5			
	7, 29			
	6, 27			

Is the inspection result normal?

YES >> GO TO 5.

NO >> Repair or replace malfunctioning components.

## 5. CHECK WHEEL SENSOR POWER SUPPLY CIRCUIT

1. Disconnect malfunctioning wheel sensor connector.
2. Turn ignition switch ON.
3. Check voltage between wheel sensor harness connector power supply terminal and ground.



# C1101, C1102, C1103, C1104 WHEEL SENSOR-1

< DTC/CIRCUIT DIAGNOSIS >

[VDC/TCS/ABS]

Wheel sensor		—	Voltage
Connector	Terminal		
E27 (Front RH)	1	Ground	8 V or more
E60 (Front LH)			
B33 (Rear RH)			
B34 (Rear LH)			

Is the inspection result normal?

YES >> Replace applicable wheel sensor.

NO >> Replace ABS actuator and electric unit (control unit).

## Component Inspection

INFOID:000000001832472

### 1. CHECK DATA MONITOR

On "DATA MONITOR", select "FR LH SENSOR", "FR RH SENSOR", "RR LH SENSOR", and "RR RH SENSOR", and check the vehicle speed.

Wheel sensor	Vehicle speed (DATA MONITOR)
FR LH SENSOR	Nearly matches the speedometer display ( $\pm 10\%$ or less)
FR RH SENSOR	
RR LH SENSOR	
RR RH SENSOR	

Is the inspection result normal?

YES >> INSPECTION END

NO >> Go to diagnosis procedure. Refer to [BRC-31, "Diagnosis Procedure"](#).

## Special Repair Requirement

INFOID:000000001832473

### 1. ADJUSTMENT OF STEERING ANGLE SENSOR NEUTRAL POSITION

Always perform the neutral position adjustment for the steering angle sensor, when replacing the ABS actuator and electric unit (control unit). Refer to [BRC-8, "ADJUSTMENT OF STEERING ANGLE SENSOR NEUTRAL POSITION : Description"](#).

>> END

A  
B  
C  
D  
E  
BRC  
G  
H  
I  
J  
K  
L  
M  
N  
O  
P

# C1105, C1106, C1107, C1108 WHEEL SENSOR-2

< DTC/CIRCUIT DIAGNOSIS >

[VDC/TCS/ABS]

## C1105, C1106, C1107, C1108 WHEEL SENSOR-2

### Description

INFOID:000000001832474

When the sensor rotor rotates, the magnetic field changes. It converts the magnetic field changes to current signals (rectangular wave) and transmits them to the ABS actuator and electric unit (control unit).

### DTC Logic

INFOID:000000001832475

### DTC DETECTION LOGIC

DTC	Display item	Malfunction detected condition	Possible cause
C1105	RR RH SENSOR-2	When the circuit in the rear RH wheel sensor is short-circuited. Or when the distance between the wheel sensor and sensor rotor is too large and the sensor pulse cannot be recognized by the control unit.	<ul style="list-style-type: none"><li>• Harness or connector</li><li>• Wheel sensor</li><li>• ABS actuator and electric unit (control unit)</li></ul>
C1106	RR LH SENSOR-2	When the circuit in the rear LH wheel sensor is short-circuited. Or when the distance between the wheel sensor and sensor rotor is too large and the sensor pulse cannot be recognized by the control unit.	
C1107	FR RH SENSOR-2	When the circuit in the front RH wheel sensor is short-circuited. Or when the distance between the wheel sensor and sensor rotor is too large and the sensor pulse cannot be recognized by the control unit.	
C1108	FR LH SENSOR-2	When the circuit in the front LH wheel sensor is short-circuited. Or when the distance between the wheel sensor and sensor rotor is too large and the sensor pulse cannot be recognized by the control unit.	

### DTC CONFIRMATION PROCEDURE

#### 1.CHECK SELF-DIAGNOSIS RESULTS

Check the self-diagnosis results.

Self-diagnosis results
RR RH SENSOR-2
RR LH SENSOR-2
FR RH SENSOR-2
FR LH SENSOR-2

Is above displayed on the self-diagnosis display?

YES >> Proceed to diagnosis procedure. Refer to [BRC-34. "Diagnosis Procedure"](#).

NO >> INSPECTION END

### Diagnosis Procedure

INFOID:000000001832476

#### **CAUTION:**

**Do not check between wheel sensor terminals.**

### INSPECTION PROCEDURE

#### 1.CHECK TIRES

Check air pressure, wear and size.

Are air pressure, wear and size within standard?

YES >> GO TO 2.

NO >> Adjust air pressure, or replace tire.

#### 2.CHECK SENSOR AND SENSOR ROTOR

- Check sensor rotor for damage.

# C1105, C1106, C1107, C1108 WHEEL SENSOR-2

< DTC/CIRCUIT DIAGNOSIS >

[VDC/TCS/ABS]

- Check wheel sensor for damage, disconnection or looseness.

Are the sensor and sensor rotor normal?

YES >> GO TO 3.

NO >> Repair wheel sensor mount or replace sensor rotor. Then perform the self-diagnosis.

## 3.CHECK CONNECTOR

1. Turn ignition switch OFF.
2. Disconnect ABS actuator and electric unit (control unit) connector.
3. Disconnect malfunctioning wheel sensor connector.
4. Check terminal to see if it is deformed, disconnected, loose, etc., Repair or replace it if any malfunction condition is found.
5. Reconnect connectors and then perform the self-diagnosis.

Is any item indicated on the self-diagnosis display?

YES >> GO TO 4.

NO >> Poor connection of connector terminal. Repair or replace connector.

## 4.CHECK WHEEL SENSOR HARNESS

1. Turn ignition switch OFF.
2. Disconnect ABS actuator and electric unit (control unit) connector.
3. Disconnect malfunctioning wheel sensor connector.
4. Check continuity between terminals. (Also check continuity when steering wheel is turned right and left and when sensor harness inside the wheel house is moved.)

Measurement terminal for power supply circuit

ABS actuator and electric unit (control unit)		Wheel sensor		Continuity
Connector	Terminal	Connector	Terminal	
E41	9	E27 (Front RH)	1	Existed
	26	E60 (Front LH)		
	7	B33 (Rear RH)		
	6	B34 (Rear LH)		

Measurement terminal for signal circuit

ABS actuator and electric unit (control unit)		Wheel sensor		Continuity
Connector	Terminal	Connector	Terminal	
E41	10	E27 (Front RH)	2	Existed
	5	E60 (Front LH)		
	29	B33 (Rear RH)		
	27	B34 (Rear LH)		

Measurement terminal for ground circuit

ABS actuator and electric unit (control unit)				Continuity
Connector	Terminal	Connector	Terminal	
E41	9, 10	E41	1, 4	Not existed
	26, 5			
	7, 29			
	6, 27			

Is the inspection result normal?

YES >> GO TO 5.

NO >> Repair or replace malfunctioning components.

## 5.CHECK WHEEL SENSOR POWER SUPPLY CIRCUIT

1. Disconnect malfunctioning wheel sensor connector.
2. Turn ignition switch ON.

## C1105, C1106, C1107, C1108 WHEEL SENSOR-2

< DTC/CIRCUIT DIAGNOSIS >

[VDC/TCS/ABS]

3. Check voltage between wheel sensor harness connector power supply terminal and ground.

Wheel sensor		—	Voltage
Connector	Terminal		
E27 (Front RH)	1	Ground	8 V or more
E60 (Front LH)			
B33 (Rear RH)			
B34 (Rear LH)			

Is the inspection result normal?

YES >> Replace applicable wheel sensor.

NO >> Replace ABS actuator and electric unit (control unit).

### Component Inspection

INFOID:000000001832477

#### 1. CHECK DATA MONITOR

On "DATA MONITOR", select "FR LH SENSOR", "FR RH SENSOR", "RR LH SENSOR", and "RR RH SENSOR", and check the vehicle speed.

Wheel sensor	Vehicle speed (DATA MONITOR)
FR LH SENSOR	Nearly matches the speedometer display ( $\pm 10\%$ or less)
FR RH SENSOR	
RR LH SENSOR	
RR RH SENSOR	

Is the inspection result normal?

YES >> INSPECTION END

NO >> Go to diagnosis procedure. Refer to [BRC-44. "Diagnosis Procedure"](#).

### Special Repair Requirement

INFOID:000000001832478

#### 1. ADJUSTMENT OF STEERING ANGLE SENSOR NEUTRAL POSITION

Always perform the neutral position adjustment for the steering angle sensor, when replacing the ABS actuator and electric unit (control unit). Refer to [BRC-8. "ADJUSTMENT OF STEERING ANGLE SENSOR NEUTRAL POSITION : Description"](#).

>> END

# C1109 POWER AND GROUND SYSTEM

< DTC/CIRCUIT DIAGNOSIS >

[VDC/TCS/ABS]

## C1109 POWER AND GROUND SYSTEM

### Description

INFOID:000000001832479

Supplies electric power to the ABS actuator and electric unit (control unit).

### DTC Logic

INFOID:000000001832480

### DTC DETECTION LOGIC

DTC	Display item	Malfunction detected condition	Possible cause
C1109	BATTERY VOLTAGE [ABNORMAL]	When the ABS actuator and electric unit (control unit) power supply voltage is lower than normal.	<ul style="list-style-type: none"><li>• Harness or connector</li><li>• ABS actuator and electric unit (control unit)</li></ul>

### DTC CONFIRMATION PROCEDURE

#### 1. CHECK SELF-DIAGNOSIS RESULTS

Check the self-diagnosis results.

Self-diagnosis results
BATTERY VOLTAGE [ABNORMAL]

Is above displayed on the self-diagnosis display?

- YES >> Proceed to diagnosis procedure. Refer to [BRC-37, "Diagnosis Procedure"](#).  
NO >> INSPECTION END

### Diagnosis Procedure

INFOID:000000001832481

### INSPECTION PROCEDURE

#### 1. CHECK CONNECTOR

1. Turn ignition switch OFF.
2. Disconnect ABS actuator and electric unit (control unit) connector.
3. Check terminal for deformation, disconnection, looseness, and so on. If any malfunction is found, repair or replace terminal.
4. Reconnect connectors and then perform the self-diagnosis.

Is any item indicated on the self-diagnosis display?

- YES >> GO TO 2.  
NO >> Poor connection of connector terminal. Repair or replace connector.

#### 2. CHECK ABS ACTUATOR AND ELECTRIC UNIT (CONTROL UNIT) POWER SUPPLY CIRCUIT AND GROUND CIRCUIT

1. Turn ignition switch OFF.
2. Disconnect ABS actuator and electric unit (control unit) connector.
3. Turn ignition switch ON or OFF and check voltage between ABS actuator and electric unit (control unit) harness connector terminal and ground.

ABS actuator and electric unit (control unit)		—	Condition	Voltage
Connector	Terminal			
E41	28	Ground	Ignition switch: ON	Battery voltage
			Ignition switch: OFF	Approx. 0 V

4. Turn ignition switch OFF.
5. Check continuity between ABS actuator and electric unit (control unit) harness connector terminals and ground.

# C1109 POWER AND GROUND SYSTEM

< DTC/CIRCUIT DIAGNOSIS >

[VDC/TCS/ABS]

ABS actuator and electric unit (control unit)		—	Continuity
Connector	Terminal		
E41	1, 4	Ground	Existed

Is the inspection result normal?

YES >> Check battery for terminal looseness, low voltage, etc. If any malfunction is found, repair malfunctioning parts.

NO >> Repair or replace malfunctioning components.

## Special Repair Requirement

INFOID:000000001832482

### 1. ADJUSTMENT OF STEERING ANGLE SENSOR NEUTRAL POSITION

Always perform the neutral position adjustment for the steering angle sensor, when replacing the ABS actuator and electric unit (control unit). Refer to [BRC-8, "ADJUSTMENT OF STEERING ANGLE SENSOR NEUTRAL POSITION : Description"](#).

>> END

**C1110, C1153, C1170 ABS ACTUATOR AND ELECTRIC UNIT (CONTROL UNIT)**

**DTC Logic**

INFOID:000000001832483

**DTC DETECTION LOGIC**

DTC	Display item	Malfunction detected condition	Possible cause
C1110	CONTROLLER FAILURE	When there is an internal malfunction in the ABS actuator and electric unit (control unit).	• ABS actuator and electric unit (control unit)
C1153	EMERGENCY BRAKE	When ABS actuator and electric unit (control unit) is malfunctioning. (Pressure increase is too much or too little)	
C1170	VARIANT CODING	In a case where VARIANT CODING is different.	

**DTC CONFIRMATION PROCEDURE**

**1. CHECK SELF-DIAGNOSIS RESULTS**

Check the self-diagnosis results.

Self-diagnosis results
CONTROLLER FAILURE
EMERGENCY BRAKE
VARIANT CODING

Is above displayed on the self-diagnosis display?

- YES >> Proceed to diagnosis procedure. Refer to [BRC-39, "Diagnosis Procedure"](#).
- NO >> INSPECTION END

**Diagnosis Procedure**

INFOID:000000001832484

**INSPECTION PROCEDURE**

**1. REPLACE ABS ACTUATOR AND ELECTRIC UNIT (CONTROL UNIT)**

**CAUTION:**

**Replace ABS actuator and electric unit (control unit) when self-diagnostic result shows items other than those applicable.**

>> Replace ABS actuator and electric unit (control unit).

**Special Repair Requirement**

INFOID:000000001832485

**1. ADJUSTMENT OF STEERING ANGLE SENSOR NEUTRAL POSITION**

Always perform the neutral position adjustment for the steering angle sensor, when replacing the ABS actuator and electric unit (control unit). Refer to [BRC-8, "ADJUSTMENT OF STEERING ANGLE SENSOR NEUTRAL POSITION : Description"](#).

>> END

# C1111 ABS MOTOR, MOTOR RELAY SYSTEM

< DTC/CIRCUIT DIAGNOSIS >

[VDC/TCS/ABS]

## C1111 ABS MOTOR, MOTOR RELAY SYSTEM

### Description

INFOID:000000001832486

#### PUMP

The pump returns the brake fluid stored in the reservoir to the master cylinder by reducing the pressure.

#### MOTOR

The motor drives the pump according to the signals transmitted by the ABS actuator and electric unit (control unit).

### DTC Logic

INFOID:000000001832487

### DTC DETECTION LOGIC

DTC	Display item	Malfunction detected condition	Possible cause
C1111	PUMP MOTOR	During the actuator motor operating with ON, when the actuator motor turns OFF, or when the control line for actuator motor relay is open.	<ul style="list-style-type: none"><li>• Harness or connector</li><li>• ABS actuator and electric unit (control unit)</li></ul>
		During the actuator motor operating with OFF, when the actuator motor turns ON, or when the control line for relay is shorted to ground.	

### DTC CONFIRMATION PROCEDURE

#### 1. CHECK SELF-DIAGNOSIS RESULTS

Check the self-diagnosis results.

Self-diagnosis results
PUMP MOTOR

Is above displayed on the self-diagnosis display?

YES >> Proceed to diagnosis procedure. Refer to [BRC-40, "Diagnosis Procedure"](#).

NO >> INSPECTION END

### Diagnosis Procedure

INFOID:000000001832488

### INSPECTION PROCEDURE

#### 1. CHECK CONNECTOR

1. Turn ignition switch OFF.
2. Disconnect ABS actuator and electric unit (control unit) connector.
3. Check terminal for deformation, disconnect, looseness, and so on. If any malfunction is found, repair or replace terminal.
4. Reconnect connectors and then perform the self-diagnosis.

Is any item indicated on the self-diagnosis display?

YES >> GO TO 2.

NO >> Poor connection of connector terminal. Repair or replace connector.

#### 2. CHECK ABS MOTOR AND MOTOR RELAY POWER SUPPLY CIRCUIT

1. Turn ignition switch OFF.
2. Disconnect ABS actuator and electric unit (control unit) connector.
3. Check voltage between the ABS actuator and electric unit (control unit) harness connector terminal and ground.

ABS actuator and electric unit (control unit)		—	Voltage
Connector	Terminal		
E41	2	Ground	Battery voltage



# C1111 ABS MOTOR, MOTOR RELAY SYSTEM

[VDC/TCS/ABS]

< DTC/CIRCUIT DIAGNOSIS >

Is the inspection result normal?

- YES >> GO TO 3.  
NO >> Repair or replace malfunctioning components.

## 3.CHECK ABS ACTUATOR AND ELECTRIC UNIT (CONTROL UNIT) GROUND CIRCUIT

Check continuity between ABS actuator and electric unit (control unit) harness connector terminals and ground.

ABS actuator and electric unit (control unit)		—	Continuity
Connector	Terminal		
E41	1, 4	Ground	Existed

Is the inspection result normal?

- YES >> Replace ABS actuator and electric unit (control unit).  
NO >> Repair or replace malfunctioning components.

## Component Inspection

INFOID:000000001832489

### 1.CHECK ACTIVE TEST

BRC

1. On "ACTIVE TEST", select "ABS MOTOR".
2. Touch "On" and "Off" on screen. Make sure motor relay and actuator relay operates as shown in table below.

Test item	Display item	Display	
		On	Off
ABS MOTOR	MOTOR RELAY	On	Off
	ACTUATOR RLY (Note)	On	On

#### NOTE:

A brief moment of On/Off condition occurs every 20 seconds after ignition switch turned ON. This is not malfunction because it is an operation for checking.

Is the inspection result normal?

- YES >> INSPECTION END  
NO >> Go to diagnosis procedure. Refer to [BRC-40, "Diagnosis Procedure"](#).

## Special Repair Requirement

INFOID:000000001832490

### 1.AJUSTMENT OF STEERING ANGLE SENSOR NEUTRAL POSITION

Always perform the neutral position adjustment for the steering angle sensor, when replacing the ABS actuator and electric unit (control unit). Refer to [BRC-8, "ADJUSTMENT OF STEERING ANGLE SENSOR NEUTRAL POSITION : Description"](#).

>> END

# C1114 ACTUATOR RELAY SYSTEM

< DTC/CIRCUIT DIAGNOSIS >

[VDC/TCS/ABS]

## C1114 ACTUATOR RELAY SYSTEM

### Description

INFOID:000000001832491

Activates or deactivates each solenoid valve according to the signals transmitted by the ABS actuator and electric unit (control unit).

### DTC Logic

INFOID:000000001832492

### DTC DETECTION LOGIC

DTC	Display item	Malfunction detected condition	Possible cause
C1114	MAIN RELAY	During the actuator relay operating with OFF, when the actuator relay turns ON, or when the control line for the relay is shorted to the ground.	<ul style="list-style-type: none"> <li>• Harness or connector</li> <li>• ABS actuator and electric unit (control unit)</li> </ul>
		During the actuator relay operating with ON, when the actuator relay turns ON, or when the control line for the relay is open.	

### DTC CONFIRMATION PROCEDURE

#### 1. CHECK SELF-DIAGNOSIS RESULTS

Check the self-diagnosis results.

Self-diagnosis results
MAIN RELAY

Is above displayed on the self-diagnosis display?

- YES >> Proceed to diagnosis procedure. Refer to [BRC-42, "Diagnosis Procedure"](#).  
 NO >> INSPECTION END

### Diagnosis Procedure

INFOID:000000001832493

### INSPECTION PROCEDURE

#### 1. CHECK CONNECTOR

1. Turn ignition switch OFF.
2. Disconnect ABS actuator and electric unit (control unit) connector.
3. Check terminal for deformation, disconnection, looseness, and so on. If any malfunction is found, repair or replace terminal.
4. Reconnect connectors and then perform the self-diagnosis.

Is any item indicated on the self-diagnosis display?

- YES >> GO TO 2.  
 NO >> Poor connection of connector terminal. Repair or replace connector.

#### 2. CHECK SOLENOID, VDC SWITCH-OVER VALVE AND ACTUATOR RELAY POWER SUPPLY CIRCUIT

1. Turn ignition switch OFF.
2. Disconnect ABS actuator and electric unit (control unit) connector.
3. Check voltage between ABS actuator and electric unit (control unit) harness connector terminal and ground.

ABS actuator and electric unit (control unit)		—	Voltage
Connector	Terminal		
E41	3	Ground	Battery voltage

Is the inspection result normal?

- YES >> GO TO 3.  
 NO >> Repair or replace malfunctioning components.

# C1114 ACTUATOR RELAY SYSTEM

< DTC/CIRCUIT DIAGNOSIS >

[VDC/TCS/ABS]

## 3. CHECK SOLENOID, VDC SWITCH-OVER VALVE AND ACTUATOR RELAY GROUND CIRCUIT

Check continuity between ABS actuator and electric unit (control unit) harness connector terminals and ground.

ABS actuator and electric unit (control unit)		—	Continuity
Connector	Terminal		
E41	1, 4	Ground	Existed

Is the inspection result normal?

- YES >> Replace ABS actuator and electric unit (control unit).
- NO >> Repair or replace malfunctioning components.

## Component Inspection

INFOID:000000001832494

### 1. CHECK ACTIVE TEST

1. On "ACTIVE TEST", select "ABS MOTOR".
2. Touch "On" and "Off" on screen. Make sure motor relay and actuator relay operates as shown in table below.

Test item	Display item	Display	
		On	Off
ABS MOTOR	MOTOR RELAY	On	Off
	ACTUATOR RLY (Note)	On	On

**NOTE:**

A brief moment of On/Off condition occurs every 20 seconds after ignition switch turned ON. This is not malfunction because it is an operation for checking.

Is the inspection result normal?

- YES >> INSPECTION END
- NO >> Go to diagnosis procedure. Refer to [BRC-40, "Diagnosis Procedure"](#).

## Special Repair Requirement

INFOID:000000001832495

### 1. ADJUSTMENT OF STEERING ANGLE SENSOR NEUTRAL POSITION

Always perform the neutral position adjustment for the steering angle sensor, when replacing the ABS actuator and electric unit (control unit). Refer to [BRC-8, "ADJUSTMENT OF STEERING ANGLE SENSOR NEUTRAL POSITION : Description"](#).

>> END

# C1115 WHEEL SENSOR

< DTC/CIRCUIT DIAGNOSIS >

[VDC/TCS/ABS]

## C1115 WHEEL SENSOR

### Description

INFOID:000000001832496

When the sensor rotor rotates, the magnetic field changes. It converts the magnetic field changes to current signals (rectangular wave) and transmits them to the ABS actuator and electric unit (control unit).

### DTC Logic

INFOID:000000001832497

### DTC DETECTION LOGIC

DTC	Display item	Malfunction detected condition	Possible cause
C1115	ABS SENSOR [ABNORMAL SIGNAL]	When wheel sensor input signal is malfunctioning.	<ul style="list-style-type: none"><li>• Harness or connector</li><li>• Wheel sensor</li><li>• ABS actuator and electric unit (control unit)</li></ul>

### DTC CONFIRMATION PROCEDURE

#### 1.CHECK SELF-DIAGNOSIS RESULTS

Check the self-diagnosis results.

Self-diagnosis results
ABS SENSOR [ABNORMAL SIGNAL]

Is above displayed on the self-diagnosis display?

- YES >> Proceed to diagnosis procedure. Refer to [BRC-44. "Diagnosis Procedure"](#).  
NO >> INSPECTION END

### Diagnosis Procedure

INFOID:000000001832498

#### **CAUTION:**

**Do not check between wheel sensor terminals.**

### INSPECTION PROCEDURE

#### 1.CHECK TIRES

Check air pressure, wear and size.

Are air pressure, wear and size within standard?

- YES >> GO TO 2.  
NO >> Adjust air pressure, or replace tire.

#### 2.CHECK SENSOR AND SENSOR ROTOR

- Check sensor rotor for damage.
- Check wheel sensor for damage, disconnection or looseness.

Are the sensor and sensor rotor normal?

- YES >> GO TO 3.  
NO >> Repair wheel sensor mount or replace sensor rotor. Then perform the self-diagnosis.

#### 3.CHECK CONNECTOR

1. Turn ignition switch OFF.
2. Disconnect ABS actuator and electric unit (control unit) connector.
3. Disconnect malfunctioning wheel sensor connector.
4. Check terminal to see if it is deformed, disconnected, loose, etc., Repair or replace it if any malfunction condition is found.
5. Reconnect connectors and then perform the self-diagnosis.

Is any item indicated on the self-diagnosis display?

- YES >> GO TO 4.  
NO >> Poor connection of connector terminal. Repair or replace connector.

# C1115 WHEEL SENSOR

< DTC/CIRCUIT DIAGNOSIS >

[VDC/TCS/ABS]

## 4. CHECK WHEEL SENSOR HARNESS

1. Turn ignition switch OFF.
2. Disconnect ABS actuator and electric unit (control unit) connector.
3. Disconnect malfunctioning wheel sensor connector.
4. Check continuity between terminals. (Also check continuity when steering wheel is turned right and left and when sensor harness inside the wheel house is moved.)

Measurement terminal for power supply circuit

ABS actuator and electric unit (control unit)		Wheel sensor		Continuity
Connector	Terminal	Connector	Terminal	
E41	9	E27 (Front RH)	1	Existed
	26	E60 (Front LH)		
	7	B33 (Rear RH)		
	6	B34 (Rear LH)		

Measurement terminal for signal circuit

ABS actuator and electric unit (control unit)		Wheel sensor		Continuity
Connector	Terminal	Connector	Terminal	
E41	10	E27 (Front RH)	2	Existed
	5	E60 (Front LH)		
	29	B33 (Rear RH)		
	27	B34 (Rear LH)		

Measurement terminal for ground circuit

ABS actuator and electric unit (control unit)		Connector	Terminal	Continuity
Connector	Terminal			
E41	9, 10	E41	1, 4	Not existed
	26, 5			
	7, 29			
	6, 27			

Is the inspection result normal?

- YES >> GO TO 5.  
 NO >> Repair or replace malfunctioning components.

## 5. CHECK WHEEL SENSOR POWER SUPPLY CIRCUIT

1. Disconnect malfunctioning wheel sensor connector.
2. Turn ignition switch ON.
3. Check voltage between wheel sensor harness connector power supply terminal and ground.

Wheel sensor		—	Voltage
Connector	Terminal		
E27 (Front RH)	1	Ground	8 V or more
E60 (Front LH)			
B33 (Rear RH)			
B34 (Rear LH)			

Is the inspection result normal?

- YES >> Replace applicable wheel sensor.  
 NO >> Replace ABS actuator and electric unit (control unit).

# C1115 WHEEL SENSOR

< DTC/CIRCUIT DIAGNOSIS >

[VDC/TCS/ABS]

## Component Inspection

INFOID:000000001832499

### 1. CHECK DATA MONITOR

On "DATA MONITOR", select "FR LH SENSOR", "FR RH SENSOR", "RR LH SENSOR", and "RR RH SENSOR", and check the vehicle speed.

Wheel sensor	Vehicle speed (DATA MONITOR)
FR LH SENSOR	Nearly matches the speedometer display ( $\pm 10\%$ or less)
FR RH SENSOR	
RR LH SENSOR	
RR RH SENSOR	

Is the inspection result normal?

YES >> INSPECTION END

NO >> Go to diagnosis procedure. Refer to [BRC-44, "Diagnosis Procedure"](#).

## Special Repair Requirement

INFOID:000000001832500

### 1. ADJUSTMENT OF STEERING ANGLE SENSOR NEUTRAL POSITION

Always perform the neutral position adjustment for the steering angle sensor, when replacing the ABS actuator and electric unit (control unit). Refer to [BRC-8, "ADJUSTMENT OF STEERING ANGLE SENSOR NEUTRAL POSITION : Description"](#).

>> END

# C1116 STOP LAMP SWITCH

< DTC/CIRCUIT DIAGNOSIS >

[VDC/TCS/ABS]

## C1116 STOP LAMP SWITCH

### Description

INFOID:000000001832501

The stop lamp switch transmits the stop lamp switch signal (ON/OFF) to the ABS actuator and electric unit (control unit).

### DTC Logic

INFOID:000000001832502

### DTC DETECTION LOGIC

DTC	Display item	Malfunction detected condition	Possible cause
C1116	STOP LAMP SW	When stop lamp switch circuit is open.	<ul style="list-style-type: none"><li>• Harness or connector</li><li>• Stop lamp switch</li><li>• ABS actuator and electric unit (control unit)</li></ul>

### DTC CONFIRMATION PROCEDURE

#### 1. CHECK SELF-DIAGNOSIS RESULTS

Check the self-diagnosis results.

Self-diagnosis results
STOP LAMP SWITCH

Is above displayed on the self-diagnosis display?

- YES >> Proceed to diagnosis procedure. Refer to [BRC-47, "Diagnosis Procedure"](#).  
NO >> INSPECTION END

### Diagnosis Procedure

INFOID:000000001832503

### INSPECTION PROCEDURE

#### 1. CHECK CONNECTOR

1. Turn ignition switch OFF.
2. Disconnect ABS actuator and electric unit (control unit) connector.
3. Disconnect stop lamp switch connector.
4. Check terminal for deformation, disconnection, looseness, and so on. If any malfunction is found, repair or replace terminal.
5. Reconnect connectors securely.
6. Start engine.
7. Repeat pumping brake pedal carefully several times, and perform self-diagnosis.

Is the inspection result normal?

- YES >> GO TO 2.  
NO >> Poor connection of connector terminal. Repair or replace connector.

#### 2. CHECK STOP LAMP SWITCH

1. Turn ignition switch OFF.
2. Disconnect stop lamp switch connector.
3. Check continuity between stop lamp switch connector terminals.

Stop lamp switch		Condition	Continuity
Connector	Terminal		
E110	3 - 4	Release stop lamp switch (When brake pedal is depressed.)	Existed
		Push stop lamp switch (When brake pedal is released.)	Not existed

Is the inspection result normal?

# C1116 STOP LAMP SWITCH

[VDC/TCS/ABS]

< DTC/CIRCUIT DIAGNOSIS >

- YES >> GO TO 3.  
NO >> Replace stop lamp switch.

## 3.CHECK STOP LAMP SWITCH CIRCUIT

1. Disconnect ABS actuator and electric unit (control unit) connector.
2. Connect stop lamp switch connector.
3. Check voltage between ABS actuator and electric unit (control unit) harness connector terminal and ground.

ABS actuator and electric unit (control unit)		Condition	Voltage
Connector	Terminal		
E41	30	Brake pedal is depressed	Battery voltage
		Brake pedal is released	Approx. 0 V

Is the inspection result normal?

- YES >> Replace ABS actuator and electric unit (control unit).  
NO >> Repair or replace malfunctioning components.

## Component Inspection

INFOID:000000001832504

## 1.CHECK STOP LAMP SWITCH

1. Turn ignition switch OFF.
2. Disconnect stop lamp switch connector.
3. Check continuity between stop lamp switch connector terminals.

Stop lamp switch		Condition	Continuity
Connector	Terminal		
E110	3 - 4	Release stop lamp switch (When brake pedal is depressed.)	Existed
		Push stop lamp switch (When brake pedal is released.)	Not existed

Is the inspection result normal?

- YES >> INSPECTION END  
NO >> Replace stop lamp switch.

## Special Repair Requirement

INFOID:000000001832505

## 1.AJUSTMENT OF STEERING ANGLE SENSOR NEUTRAL POSITION

Always perform the neutral position adjustment for the steering angle sensor, when replacing the ABS actuator and electric unit (control unit). Refer to [BRC-8. "ADJUSTMENT OF STEERING ANGLE SENSOR NEUTRAL POSITION : Description"](#).

>> END



# C1120, C1122, C1124, C1126 IN ABS SOL

< DTC/CIRCUIT DIAGNOSIS >

[VDC/TCS/ABS]

## C1120, C1122, C1124, C1126 IN ABS SOL

### Description

INFOID:000000001832506

The solenoid valve increases, holds or decreases the fluid pressure of each brake caliper according to the signals transmitted by the ABS actuator and electric unit (control unit).

### DTC Logic

INFOID:000000001832507

### DTC DETECTION LOGIC

DTC	Display item	Malfunction detected condition	Possible cause
C1120	FR LH IN ABS SOL	When the control unit detects a malfunction in the front LH inlet solenoid circuit.	• ABS actuator and electric unit (control unit)
C1122	FR RH IN ABS SOL	When the control unit detects a malfunction in the front RH inlet solenoid circuit.	
C1124	RR LH IN ABS SOL	When the control unit detects a malfunction in the rear LH inlet solenoid circuit.	
C1126	RR RH IN ABS SOL	When the control unit detects a malfunction in the rear RH inlet solenoid circuit.	

### DTC CONFIRMATION PROCEDURE

#### 1.CHECK SELF-DIAGNOSIS RESULTS

Check the self-diagnosis results.

Self-diagnosis results
FR LH IN ABS SOL
FR RH IN ABS SOL
RR LH IN ABS SOL
RR RH IN ABS SOL

Is above displayed on the self-diagnosis display?

- YES >> Proceed to diagnosis procedure. Refer to [BRC-49. "Diagnosis Procedure"](#).  
NO >> INSPECTION END

### Diagnosis Procedure

INFOID:000000001832508

### INSPECTION PROCEDURE

#### 1.CHECK CONNECTOR

1. Turn ignition switch OFF.
2. Disconnect ABS actuator and electric unit (control unit) connector.
3. Check terminal for deformation, disconnection, looseness, and so on. If any malfunction is found, repair or replace terminal.
4. Reconnect connectors and then perform the self-diagnosis.

Is any item indicated on the self-diagnosis display?

- YES >> GO TO 2.  
NO >> Poor connection of connector terminal. Repair or replace connector.

#### 2.CHECK SOLENOID, VDC SWITCH-OVER VALVE AND ACTUATOR RELAY POWER SUPPLY CIRCUIT

1. Turn ignition switch OFF.
2. Disconnect ABS actuator and electric unit (control unit) connector.
3. Check voltage between ABS actuator and electric unit (control unit) harness connector terminal and ground.

# C1120, C1122, C1124, C1126 IN ABS SOL

< DTC/CIRCUIT DIAGNOSIS >

[VDC/TCS/ABS]

ABS actuator and electric unit (control unit)		—	Voltage
Connector	Terminal		
E41	3	Ground	Battery voltage

Is the inspection result normal?

- YES >> GO TO 3.  
 NO >> Repair or replace malfunctioning components.

## 3.CHECK SOLENOID, VDC SWITCH-OVER VALVE AND ACTUATOR RELAY GROUND CIRCUIT

Check continuity between ABS actuator and electric unit (control unit) harness connector terminals and ground.

ABS actuator and electric unit (control unit)		—	Continuity
Connector	Terminal		
E41	1, 4	Ground	Existed

Is the inspection result normal?

- YES >> Replace ABS actuator and electric unit (control unit).  
 NO >> Repair or replace malfunctioning components.

## Component Inspection

INFOID:000000001832509

### 1.CHECK ACTIVE TEST

- Select each test menu item on "ACTIVE TEST".
- On the display, touch "Up", "Keep" and "Down", and check that the system operates as shown in the table below.

Test item	Display item (Note)	Display		
		Up	Keep	Down
FR RH SOL	FR RH IN SOL	Off	On	On
	FR RH OUT SOL	Off	Off	On*
	USV[FR-RL]	Off	Off	Off
	HSV[FR-RL]	Off	Off	Off
FR LH SOL	FR LH IN SOL	Off	On	On
	FR LH OUT SOL	Off	Off	On*
	USV[FL-RR]	Off	Off	Off
	HSV[FL-RR]	Off	Off	Off
RR RH SOL	RR RH IN SOL	Off	On	On
	RR RH OUT SOL	Off	Off	On*
	USV[FL-RR]	Off	Off	Off
	HSV[FL-RR]	Off	Off	Off
RR LH SOL	RR LH IN SOL	Off	On	On
	RR LH OUT SOL	Off	Off	On*
	USV[FR-RL]	Off	Off	Off
	HSV[FR-RL]	Off	Off	Off

\*: On for 1 to 2 seconds after the touch, and then Off.

**NOTE:**

A brief moment of On/Off condition occurs every 20 seconds after ignition switch turned ON. This is not malfunction because it is an operation for checking.

Is the inspection result normal?

- YES >> INSPECTION END

# C1120, C1122, C1124, C1126 IN ABS SOL

< DTC/CIRCUIT DIAGNOSIS >

[VDC/TCS/ABS]

NO >> Go to diagnosis procedure. Refer to [BRC-49. "Diagnosis Procedure"](#).

## Special Repair Requirement

INFOID:000000001832510

### 1. ADJUSTMENT OF STEERING ANGLE SENSOR NEUTRAL POSITION

Always perform the neutral position adjustment for the steering angle sensor, when replacing the ABS actuator and electric unit (control unit). Refer to [BRC-8. "ADJUSTMENT OF STEERING ANGLE SENSOR NEUTRAL POSITION : Description"](#).

>> END

A  
B  
C  
D  
E  
G  
H  
I  
J  
K  
L  
M  
N  
O  
P

**BRC**

# C1121, C1123, C1125, C1127 OUT ABS SOL

< DTC/CIRCUIT DIAGNOSIS >

[VDC/TCS/ABS]

## C1121, C1123, C1125, C1127 OUT ABS SOL

### Description

INFOID:000000001832511

The solenoid valve increases, holds or decreases the fluid pressure of each brake caliper according to the signals transmitted by the ABS actuator and electric unit (control unit).

### DTC Logic

INFOID:000000001832512

### DTC DETECTION LOGIC

DTC	Display item	Malfunction detected condition	Possible cause
C1121	FR LH OUT ABS SOL	When the control unit detects a malfunction in the front LH outlet solenoid circuit.	• ABS actuator and electric unit (control unit)
C1123	FR RH OUT ABS SOL	When the control unit detects a malfunction in the front RH outlet solenoid circuit.	
C1125	RR LH OUT ABS SOL	When the control unit detects a malfunction in the rear LH outlet solenoid circuit.	
C1127	RR RH OUT ABS SOL	When the control unit detects a malfunction in the rear RH outlet solenoid circuit.	

### DTC CONFIRMATION PROCEDURE

#### 1. CHECK SELF-DIAGNOSIS RESULTS

Check the self-diagnosis results.

Self-diagnosis results
FR LH OUT ABS SOL
FR RH OUT ABS SOL
RR LH OUT ABS SOL
RR RH OUT ABS SOL

Is above displayed on the self-diagnosis display?

- YES >> Proceed to diagnosis procedure. Refer to [BRC-52. "Diagnosis Procedure"](#).  
NO >> INSPECTION END

### Diagnosis Procedure

INFOID:000000001832513

### INSPECTION PROCEDURE

#### 1. CHECK CONNECTOR

1. Turn ignition switch OFF.
2. Disconnect ABS actuator and electric unit (control unit) connector.
3. Check terminal for deformation, disconnection, looseness, and so on. If any malfunction is found, repair or replace terminal.
4. Reconnect connectors and then perform the self-diagnosis.

Is any item indicated on the self-diagnosis display?

- YES >> GO TO 2.  
NO >> Poor connection of connector terminal. Repair or replace connector.

#### 2. CHECK SOLENOID, VDC SWITCH-OVER VALVE AND ACTUATOR RELAY POWER SUPPLY CIRCUIT

1. Turn ignition switch OFF.
2. Disconnect ABS actuator and electric unit (control unit) connector.
3. Check voltage between ABS actuator and electric unit (control unit) harness connector terminal and ground.

# C1121, C1123, C1125, C1127 OUT ABS SOL

< DTC/CIRCUIT DIAGNOSIS >

[VDC/TCS/ABS]

ABS actuator and electric unit (control unit)		—	Voltage
Connector	Terminal		
E41	3	Ground	Battery voltage

Is the inspection result normal?

YES >> GO TO 3.

NO >> Repair or replace malfunctioning components.

## 3.CHECK SOLENOID, VDC SWITCH-OVER VALVE AND ACTUATOR RELAY GROUND CIRCUIT

Check continuity between ABS actuator and electric unit (control unit) harness connector terminals and ground.

ABS actuator and electric unit (control unit)		—	Continuity
Connector	Terminal		
E41	1, 4	Ground	Existed

Is the inspection result normal?

YES >> Replace ABS actuator and electric unit (control unit).

NO >> Repair or replace malfunctioning components.

## Component Inspection

INFOID:000000001832514

### 1.CHECK ACTIVE TEST

- Select each test menu item on "ACTIVE TEST".
- On the display, touch "Up", "Keep" and "Down", and check that the system operates as shown in the table below.

Test item	Display item (Note)	Display		
		Up	Keep	Down
FR RH SOL	FR RH IN SOL	Off	On	On
	FR RH OUT SOL	Off	Off	On*
	USV[FR-RL]	Off	Off	Off
	HSV[FR-RL]	Off	Off	Off
FR LH SOL	FR LH IN SOL	Off	On	On
	FR LH OUT SOL	Off	Off	On*
	USV[FL-RR]	Off	Off	Off
	HSV[FL-RR]	Off	Off	Off
RR RH SOL	RR RH IN SOL	Off	On	On
	RR RH OUT SOL	Off	Off	On*
	USV[FL-RR]	Off	Off	Off
	HSV[FL-RR]	Off	Off	Off
RR LH SOL	RR LH IN SOL	Off	On	On
	RR LH OUT SOL	Off	Off	On*
	USV[FR-RL]	Off	Off	Off
	HSV[FR-RL]	Off	Off	Off

\*: On for 1 to 2 seconds after the touch, and then Off.

#### NOTE:

A brief moment of On/Off condition occurs every 20 seconds after ignition switch turned ON. This is not malfunction because it is an operation for checking.

Is the inspection result normal?

YES >> INSPECTION END

## C1121, C1123, C1125, C1127 OUT ABS SOL

< DTC/CIRCUIT DIAGNOSIS >

[VDC/TCS/ABS]

NO >> Go to diagnosis procedure. Refer to [BRC-52. "Diagnosis Procedure"](#).

### Special Repair Requirement

INFOID:000000001832515

#### 1. ADJUSTMENT OF STEERING ANGLE SENSOR NEUTRAL POSITION

Always perform the neutral position adjustment for the steering angle sensor, when replacing the ABS actuator and electric unit (control unit). Refer to [BRC-8. "ADJUSTMENT OF STEERING ANGLE SENSOR NEUTRAL POSITION : Description"](#).

>> END

# C1130, C1131, C1132 ENGINE SIGNAL

< DTC/CIRCUIT DIAGNOSIS >

[VDC/TCS/ABS]

## C1130, C1131, C1132 ENGINE SIGNAL

### Description

INFOID:000000001832516

ABS actuator and electric unit (control unit) and ECM exchange the engine signal with CAN communication line.

### DTC Logic

INFOID:000000001832517

### DTC DETECTION LOGIC

DTC	Display item	Malfunction detected condition	Possible cause
C1130	ENGINE SIGNAL 1	Major engine components are malfunctioning.	<ul style="list-style-type: none"><li>• Harness or connector</li><li>• ABS actuator and electric unit (control unit)</li><li>• ECM</li><li>• CAN communication line</li></ul>
C1131	ENGINE SIGNAL 2		
C1132	ENGINE SIGNAL 3		

### DTC CONFIRMATION PROCEDURE

#### 1.CHECK SELF-DIAGNOSIS RESULTS

Check the self-diagnosis results.

Self-diagnosis results
ENGINE SIGNAL 1
ENGINE SIGNAL 2
ENGINE SIGNAL 3

Is above displayed on the self-diagnosis display?

- YES >> Proceed to diagnosis procedure. Refer to [BRC-55, "Diagnosis Procedure"](#).  
NO >> INSPECTION END

### Diagnosis Procedure

INFOID:000000001832518

#### 1.CHECK ENGINE SYSTEM

1. Perform ECM self-diagnosis. Repair or replace items indicated, then perform ECM self-diagnosis again.
2. Perform ABS actuator and electric unit (control unit) self-diagnosis.

Is any item indicated on the self-diagnosis display?

- YES >> Repair or replace the affected part.  
NO >> INSPECTION END

### Special Repair Requirement

INFOID:000000001832519

#### 1.AJUSTMENT OF STEERING ANGLE SENSOR NEUTRAL POSITION

Always perform the neutral position adjustment for the steering angle sensor, when replacing the ABS actuator and electric unit (control unit). Refer to [BRC-8, "ADJUSTMENT OF STEERING ANGLE SENSOR NEUTRAL POSITION : Description"](#).

>> END

## C1138 4WAS SYSTEM

### Description

INFOID:000000001832520

The ABS actuator and electric unit (control unit) and the 4WAS control unit exchange signals via the CAN communication line.

### DTC Logic

INFOID:000000001832521

#### DTC DETECTION LOGIC

DTC	Display item	Malfunction detected condition	Possible cause
C1138	4WAS CIRCUIT	Abnormal condition in major 4WAS parts.	<ul style="list-style-type: none"> <li>ABS actuator and electric unit (control unit)</li> <li>4WAS system</li> <li>CAN communication line</li> </ul>

#### DTC CONFIRMATION PROCEDURE

##### 1. CHECK SELF-DIAGNOSIS RESULTS

Check the self-diagnosis results.

Self-diagnosis results
4WAS CIRCUIT

Is above displayed on the self-diagnosis display?

- YES >> Proceed to diagnosis procedure. Refer to [BRC-56. "Diagnosis Procedure"](#).  
 NO >> INSPECTION END

### Diagnosis Procedure

INFOID:000000001832522

#### INSPECTION PROCEDURE

##### 1. CHECK 4WAS SYSTEM

1. Perform 4WAS front control unit self-diagnosis and 4WAS main control unit self-diagnosis. Repair or replace items indicated, then 4WAS front control unit self-diagnosis and 4WAS main control unit self-diagnosis again.
2. Perform ABS actuator and electric unit (control unit) self-diagnosis.

Is any item indicated on the self-diagnosis display?

- YES >> Repair or replace the affected part.  
 NO >> INSPECTION END

### Special Repair Requirement

INFOID:000000001832523

##### 1. ADJUSTMENT OF STEERING ANGLE SENSOR NEUTRAL POSITION

Always perform the neutral position adjustment for the steering angle sensor, when replacing the ABS actuator and electric unit (control unit). Refer to [BRC-8. "ADJUSTMENT OF STEERING ANGLE SENSOR NEUTRAL POSITION : Description"](#).

>> END



# C1142 PRESS SENSOR

< DTC/CIRCUIT DIAGNOSIS >

[VDC/TCS/ABS]

## C1142 PRESS SENSOR

### Description

INFOID:000000001832524

The pressure sensor converts the brake fluid pressure to an electric signal and transmits it to the ABS actuator and electric unit (control unit). [The pressure sensor is integrated in the ABS actuator and electric unit (control unit).]

### DTC Logic

INFOID:000000001832525

### DTC DETECTION LOGIC

DTC	Display item	Malfunction detected condition	Possible cause
C1142	PRESS SEN CIRCUIT	Pressure sensor signal line is open or shorted, or pressure sensor is malfunctioning.	<ul style="list-style-type: none"><li>• Harness or connector</li><li>• Stop lamp switch</li><li>• ABS actuator and electric unit (control unit)</li></ul>

### DTC CONFIRMATION PROCEDURE

#### 1.CHECK SELF-DIAGNOSIS RESULTS

Check the self-diagnosis results.

Self-diagnosis results
PRESS SEN CIRCUIT

Is above displayed on the self-diagnosis display?

YES >> Proceed to diagnosis procedure. Refer to [BRC-57, "Diagnosis Procedure"](#).

NO >> INSPECTION END

### Diagnosis Procedure

INFOID:000000001832526

#### INSPECTION PROCEDURE

##### 1.CHECK STOP LAMP SWITCH CONNECTOR

1. Turn ignition switch OFF.
2. Disconnect ABS actuator and electric unit (control unit) connector.
3. Disconnect stop lamp switch connector.
4. Check terminal for deformation, disconnection, looseness, and so on. If any malfunction is found, repair or replace terminal.
5. Reconnect connectors securely.
6. Start engine.
7. Repeat pumping brake pedal carefully several times, and perform self-diagnosis.

Is the inspection result normal?

YES >> GO TO 2.

NO >> Poor connection of connector terminal. Repair or replace connector.

##### 2.CHECK STOP LAMP SWITCH CLEARANCE

Check stop lamp switch clearance. Refer to [BR-8, "Inspection and Adjustment"](#).

Is the inspection result normal?

YES >> GO TO 3.

NO >> Adjust stop lamp switch clearance. Refer to [BR-8, "Inspection and Adjustment"](#).

##### 3.CHECK STOP LAMP SWITCH

1. Turn ignition switch OFF.
2. Disconnect stop lamp switch connector.
3. Check continuity between stop lamp switch connector terminals.

# C1142 PRESS SENSOR

< DTC/CIRCUIT DIAGNOSIS >

[VDC/TCS/ABS]

Stop lamp switch		Condition	Continuity
Connector	Terminal		
E110	3 - 4	Release stop lamp switch (When brake pedal is depressed.)	Existed
		Push stop lamp switch (When brake pedal is released.)	Not existed

Is the inspection result normal?

YES >> GO TO 4.

NO >> Replace stop lamp switch.

## 4.CHECK STOP LAMP SWITCH CIRCUIT

1. Disconnect ABS actuator and electric unit (control unit) connector.
2. Connect stop lamp switch connector.
3. Check voltage between ABS actuator and electric unit (control unit) harness connector terminal and ground.

ABS actuator and electric unit (control unit)		Condition	Voltage
Connector	Terminal		
E41	30	Brake pedal is depressed	Battery voltage
		Brake pedal is released	Approx. 0 V

Is the inspection result normal?

YES >> Replace ABS actuator and electric unit (control unit).

NO >> Repair or replace malfunctioning components.

## Component Inspection

INFOID:000000001832527

### 1.CHECK DATA MONITOR

On "DATA MONITOR", select "PRESS SENSOR" and check the brake fluid pressure.

Condition	PRESS SENSOR (DATA MONITOR)
With ignition switch turned ON and brake pedal released.	Approx. 0 bar
With ignition switch turned ON and brake pedal depressed.	- 40 to 300 bar

Is the inspection result normal?

YES >> INSPECTION END

NO >> Go to diagnosis procedure. Refer to [BRC-57, "Diagnosis Procedure"](#).

## Special Repair Requirement

INFOID:000000001832528

### 1.ADJUSTMENT OF STEERING ANGLE SENSOR NEUTRAL POSITION

Always perform the neutral position adjustment for the steering angle sensor, when replacing the ABS actuator and electric unit (control unit). Refer to [BRC-8, "ADJUSTMENT OF STEERING ANGLE SENSOR NEUTRAL POSITION : Description"](#).

>> END

# C1143, C1144 STEERING ANGLE SENSOR

< DTC/CIRCUIT DIAGNOSIS >

[VDC/TCS/ABS]

## C1143, C1144 STEERING ANGLE SENSOR

### Description

INFOID:000000001832529

The steering angle sensor detects the rotation amount, angular velocity and direction of the steering wheel, and transmits the data to the ABS actuator and electric unit (control unit) via CAN communication.

### DTC Logic

INFOID:000000001832530

### DTC DETECTION LOGIC

DTC	Display item	Malfunction detected condition	Possible cause
C1143	ST ANG SEN CIRCUIT	Steering angle sensor is malfunctioning.	<ul style="list-style-type: none"><li>• Harness or connector</li><li>• Steering angle sensor</li><li>• 4WAS control unit (4WAS models)</li><li>• ABS actuator and electric unit (control unit)</li></ul>
C1144	ST ANG SEN SIGNAL	Neutral position of steering angle sensor is not finished.	

### DTC CONFIRMATION PROCEDURE

#### 1. CHECK SELF-DIAGNOSIS RESULTS

Check the self-diagnosis results.

Self-diagnosis results
ST ANG SEN CIRCUIT
ST ANG SEN SIGNAL

Is above displayed on the self-diagnosis display?

- YES >> Proceed to diagnosis procedure. Refer to [BRC-59, "Diagnosis Procedure"](#).  
NO >> INSPECTION END

### Diagnosis Procedure

INFOID:000000001832531

### INSPECTION PROCEDURE

#### 1. VEHICLE INSPECTION

Check that the vehicle equips 4WAS.

Does the vehicle equips 4WAS?

- YES >> Check 4WAS system. Refer to [STC-34, "System Description"](#).  
NO >> GO TO 2.

#### 2. CHECK CONNECTOR

1. Turn ignition switch OFF.
2. Disconnect ABS actuator and electric unit (control unit) connector.
3. Disconnect steering angle sensor connector.
4. Check terminal for deformation, disconnection, looseness, and so on. If any malfunction is found, repair or replace terminal.
5. Reconnect connectors and then perform the self-diagnosis.

Is any item indicated on the self-diagnosis display?

- YES >> GO TO 3.  
NO >> Poor connection of connector terminal. Repair or replace connector.

#### 3. CHECK STEERING ANGLE SENSOR HARNESS

1. Turn ignition switch OFF.
2. Disconnect steering angle sensor connector.
3. Check continuity between steering angle sensor harness connector terminal and ground.

# C1143, C1144 STEERING ANGLE SENSOR

< DTC/CIRCUIT DIAGNOSIS >

[VDC/TCS/ABS]

Steering angle sensor		—	Continuity
Connector	Terminal		
M37	7	Ground	Existed

4. Turn ignition switch ON.
5. Check voltage between steering angle sensor harness connector terminal and ground.

Steering angle sensor		—	Voltage
Connector	Terminal		
M37	8	Ground	Battery voltage

Is the inspection result normal?

- YES >> GO TO 4.  
NO >> Replace steering angle sensor and adjust neutral position of steering angle sensor.

## 4.CHECK DATA MONITOR

1. Connect the steering angle sensor connector and ABS actuator and electric unit (control unit) connector.
2. Select "STR ANGLE SIG" in "DATA MONITOR" and check steering angle sensor signal.

Steering condition	STR ANGLE SIG (DATA MONITOR)
Driving straight	$\pm 2.5^\circ$
Turn 90° to right	Approx. +90°
Turn 90° to left	Approx. -90°

Is the inspection result normal?

- YES >> Replace ABS actuator and electric unit (control unit).  
NO >> Replace steering angle sensor and adjust neutral position of steering angle sensor.

## Component Inspection

INFOID:000000001832532

### 1.CHECK DATA MONITOR

Select "STR ANGLE SIG" in "DATA MONITOR" and check steering angle sensor signal.

Steering condition	STR ANGLE SIG (DATA MONITOR)
Driving straight	$\pm 2.5^\circ$
Turn 90° to right	Approx. +90°
Turn 90° to left	Approx. -90°

Is the inspection result normal?

- YES >> INSPECTION END  
NO >> Go to diagnosis procedure. Refer to [BRC-59, "Diagnosis Procedure"](#).

## Special Repair Requirement

INFOID:000000001832533

### 1.ADJUSTMENT OF STEERING ANGLE SENSOR NEUTRAL POSITION

Always perform the neutral position adjustment for the steering angle sensor, when replacing the steering angle sensor or the ABS actuator and electric unit (control unit). Refer to [BRC-8, "ADJUSTMENT OF STEERING ANGLE SENSOR NEUTRAL POSITION : Description"](#).

>> END

# C1145, C1146 YAW RATE/SIDE G SENSOR

< DTC/CIRCUIT DIAGNOSIS >

[VDC/TCS/ABS]

## C1145, C1146 YAW RATE/SIDE G SENSOR

### Description

INFOID:000000001832534

The yaw rate/side G sensor detects the yaw rate/side G affecting the vehicle, and transmits the data to the ABS actuator and electric unit (control unit) as an analog voltage signal.

### DTC Logic

INFOID:000000001832535

### DTC DETECTION LOGIC

DTC	Display item	Malfunction detected condition	Possible cause
C1145	YAW RATE SENSOR	Yaw rate sensor is malfunctioning, or the yaw rate sensor signal line is open or shorted.	• Harness or connector • ABS actuator and electric unit (control unit) • Yaw rate/side G sensor
C1146	SIDE G-SEN CIRCUIT	Side G sensor is malfunctioning, or circuit of side G sensor is open or shorted.	

### DTC CONFIRMATION PROCEDURE

#### 1. CHECK SELF-DIAGNOSIS RESULTS

Check the self-diagnosis results.

Self-diagnosis results
YAW RATE SENSOR
SIDE G-SEN CIRCUIT

Is above displayed on the self-diagnosis display?

- YES >> Proceed to diagnosis procedure. Refer to [BRC-61. "Diagnosis Procedure"](#).  
NO >> INSPECTION END

### Diagnosis Procedure

INFOID:000000001832536

#### CAUTION:

- Sudden turns (such as spin turns, acceleration turns), drifting, etc., when VDC function is off (VDC OFF switch "ON") may cause yaw rate/side G sensor system to indicate a malfunction. However, this is not a malfunction, if normal operation can be resumed after restarting engine. Then erase memory of self-diagnosis.
- If vehicle is on turn-table at entrance to parking garage, or on other moving surface, VDC OFF indicator lamp may illuminate and CONSULT-III self-diagnosis may indicate yaw rate sensor system malfunction. However, in this case there is no malfunction in yaw rate sensor system. Take vehicle off of turn-table or other moving surface, and start engine. Results will return to normal. And after doing spin turns or acceleration turns with VDC function is being off (VDC OFF switch "ON"), too, the results will return to a normal condition by re-starting vehicle.

### INSPECTION PROCEDURE

#### 1. CHECK CONNECTOR

1. Turn ignition switch OFF.
2. Disconnect ABS actuator and electric unit (control unit) connector.
3. Disconnect yaw rate/side G sensor connector.
4. Check terminal for deformation, disconnection, looseness, and so on. If any malfunction is found, repair or replace terminal.
5. Reconnect connectors and then perform the self-diagnosis.

Is any item indicated on the self-diagnosis display?

- YES >> GO TO 2.  
NO >> Poor connection of connector terminal. Repair or replace connector.

#### 2. CHECK YAW RATE/SIDE G SENSOR POWER SUPPLY CIRCUIT

1. Turn ignition switch OFF.
2. Disconnect yaw rate/side G sensor connector.

## C1145, C1146 YAW RATE/SIDE G SENSOR

< DTC/CIRCUIT DIAGNOSIS >

[VDC/TCS/ABS]

3. Turn ignition switch ON or OFF and check voltage between yaw rate/side G sensor harness connector terminal and ground.

Yaw rate/side G sensor		—	Condition	Voltage
Connector	Terminal			
M143	4	Ground	Ignition switch: ON	Battery voltage
			Ignition switch: OFF	Approx. 0 V

Is the inspection result normal?

- YES >> GO TO 3.  
 NO >> Repair or replace malfunctioning components.

### 3.CHECK YAW RATE/SIDE G SENSOR GROUND CIRCUIT

Check continuity between yaw rate/side G sensor harness connector terminal and ground.

Yaw rate/side G sensor		—	Continuity
Connector	Terminal		
M143	1	Ground	Existed

Is the inspection result normal?

- YES >> GO TO 4.  
 NO >> Repair or replace malfunctioning components.

### 4.CHECK YAW RATE/SIDE G SENSOR HARNESS

1. Disconnect yaw rate/side G sensor connector and ABS actuator and electric unit (control unit) connector.
2. Check continuity between yaw rate/side G sensor harness connector terminals and ABS actuator and electric unit (control unit) harness connector terminals.

ABS actuator and electric unit (control unit)		Yaw rate/side G sensor		Continuity
Connector	Terminal	Connector	Terminal	
E41	25	M143	2	Existed
	45		3	

Is the inspection result normal?

- YES >> GO TO 5.  
 NO >> Repair or replace malfunctioning components.

### 5.CHECK DATA MONITOR

1. Connect the yaw rate/side G sensor connector and ABS actuator and electric unit (control unit) connector.
2. Select "YAW RATE SEN", "SIDE G-SENSOR" in "DATA MONITOR" and check yaw rate/side G sensor signal.

Vehicle condition	YAW RATE SEN (DATA MONITOR)	SIDE G-SENSOR (DATA MONITOR)
Stopped	Approx. 0 d/s	Approx. 0 m/s <sup>2</sup>
Turning right	Negative value	Negative value
Turning left	Positive value	Positive value

Is the inspection result normal?

- YES >> Replace ABS actuator and electric unit (control unit).  
 NO >> Replace yaw rate/side G sensor.

## Component Inspection

INFOID:000000001832537

### 1.CHECK DATA MONITOR

Select "YAW RATE SEN", "SIDE G-SENSOR" in "DATA MONITOR" and check yaw rate/side G sensor signal.

# C1145, C1146 YAW RATE/SIDE G SENSOR

< DTC/CIRCUIT DIAGNOSIS >

[VDC/TCS/ABS]

Vehicle condition	YAW RATE SEN (DATA MONITOR)	SIDE G-SENSOR (DATA MONITOR)
Stopped	Approx. 0 d/s	Approx. 0 m/s <sup>2</sup>
Turning right	Negative value	Negative value
Turning left	Positive value	Positive value

Is the inspection result normal?

YES >> INSPECTION END

NO >> Go to diagnosis procedure. Refer to [BRC-61. "Diagnosis Procedure"](#).

## Special Repair Requirement

INFOID:000000001832538

### 1. ADJUSTMENT OF STEERING ANGLE SENSOR NEUTRAL POSITION

Always perform the neutral position adjustment for the steering angle sensor, when replacing the ABS actuator and electric unit (control unit). Refer to [BRC-8. "ADJUSTMENT OF STEERING ANGLE SENSOR NEUTRAL POSITION : Description"](#).

>> END

A  
B  
C  
D  
E  
F  
G  
H  
I  
J  
K  
L  
M  
N  
O  
P

BRC

# C1147, C1148, C1149, C1150 USV/HSV LINE

< DTC/CIRCUIT DIAGNOSIS >

[VDC/TCS/ABS]

## C1147, C1148, C1149, C1150 USV/HSV LINE

### Description

INFOID:000000001832539

#### USV1, USV2 (CUT VALVE)

The cut valve shuts off the normal brake fluid path from the master cylinder, when VDC/TCS is activated.

#### HSV1, HSV2 (SUCTION VALVE)

The suction valve supplies the brake fluid from the master cylinder to the pump, when VDC/TCS is activated.

### DTC Logic

INFOID:000000001832540

### DTC DETECTION LOGIC

DTC	Display item	Malfunction detected condition	Possible cause
C1147	USV LINE[FL-RR]	VDC switch-over solenoid valve (USV1) on the primary side is open circuit or shorted, or the control line is open or shorted to the power supply or the ground.	<ul style="list-style-type: none"><li>• Harness or connector</li><li>• ABS actuator and electric unit (control unit)</li></ul>
C1148	USV LINE[FR-RL]	VDC switch-over solenoid valve (USV2) on the primary side is open circuit or shorted, or the control line is open or shorted to the power supply or the ground.	
C1149	HSV LINE[FL-RR]	VDC switch-over solenoid valve (HSV1) on the primary side is open circuit or shorted, or the control line is open or shorted to the power supply or the ground.	
C1150	HSV LINE[FR-RL]	VDC switch-over solenoid valve (HSV2) on the primary side is open circuit or shorted, or the control line is open or shorted to the power supply or the ground.	

### DTC CONFIRMATION PROCEDURE

#### 1. CHECK SELF-DIAGNOSIS RESULTS

Check the self-diagnosis results.

Self-diagnosis results
USV LINE[FL-RR]
USV LINE[FR-RL]
HSV LINE[FL-RR]
HSV LINE[FR-RL]

Is above displayed on the self-diagnosis display?

- YES >> Proceed to diagnosis procedure. Refer to [BRC-64, "Diagnosis Procedure"](#).  
NO >> INSPECTION END

### Diagnosis Procedure

INFOID:000000001832541

### INSPECTION PROCEDURE

#### 1. CHECK CONNECTOR

1. Turn ignition switch OFF.
2. Disconnect ABS actuator and electric unit (control unit) connector.
3. Check terminal for deformation, disconnection, looseness, and so on. If any malfunction is found, repair or replace terminal.
4. Reconnect connectors and then perform the self-diagnosis.

Is any item indicated on the self-diagnosis display?

- YES >> GO TO 2.  
NO >> Poor connection of connector terminal. Repair or replace connector.

#### 2. CHECK SOLENOID, VDC SWITCH-OVER VALVE AND ACTUATOR RELAY POWER SUPPLY CIRCUIT



# C1147, C1148, C1149, C1150 USV/HSV LINE

< DTC/CIRCUIT DIAGNOSIS >

[VDC/TCS/ABS]

1. Turn ignition switch OFF.
2. Disconnect ABS actuator and electric unit (control unit) connector.
3. Check voltage between ABS actuator and electric unit (control unit) harness connector terminal and ground.

ABS actuator and electric unit (control unit)		—	Voltage
Connector	Terminal		
E41	3	Ground	Battery voltage

Is the inspection result normal?

YES >> GO TO 3.

NO >> Repair or replace malfunctioning components.

## 3.CHECK SOLENOID, VDC SWITCH-OVER VALVE AND ACTUATOR RELAY GROUND CIRCUIT

Check continuity between ABS actuator and electric unit (control unit) harness connector terminals and ground.

ABS actuator and electric unit (control unit)		—	Continuity
Connector	Terminal		
E41	1, 4	Ground	Existed

Is the inspection result normal?

YES >> Replace ABS actuator and electric unit (control unit).

NO >> Repair or replace malfunctioning components.

## Component Inspection

INFOID:000000001832542

### 1.CHECK ACTIVE TEST

1. Select each test menu item on "ACTIVE TEST".
2. On the display, touch "Up", "ACT UP", and "ACT KEEP", and check that the system operates as shown in the table below.

Test item	Display item (Note)	Display		
		Up	ACT UP	ACT KEEP
FR RH ABS SOLENOID (ACT)	FR RH IN SOL	Off	Off	Off
	FR RH OUT SOL	Off	Off	Off
	USV[FR-RL]	Off	On	On
	HSV[FR-RL]	Off	On*	Off
FR LH ABS SOLENOID (ACT)	FR LH IN SOL	Off	Off	Off
	FR LH OUT SOL	Off	Off	Off
	USV[FL-RR]	Off	On	On
	HSV[FL-RR]	Off	On*	Off
RR RH ABS SOLENOID (ACT)	RR RH IN SOL	Off	Off	Off
	RR RH OUT SOL	Off	Off	Off
	USV[FL-RR]	Off	On	On
	HSV[FL-RR]	Off	On*	Off
RR LH ABS SOLENOID (ACT)	RR LH IN SOL	Off	Off	Off
	RR LH OUT SOL	Off	Off	Off
	USV[FR-RL]	Off	On	On
	HSV[FR-RL]	Off	On*	Off

\*: On for 1 to 2 seconds after the touch, and then Off.

**NOTE:**

## C1147, C1148, C1149, C1150 USV/HSV LINE

< DTC/CIRCUIT DIAGNOSIS >

[VDC/TCS/ABS]

A brief moment of On/Off condition occurs every 20 seconds after ignition switch turned ON. This is not malfunction because it is an operation for checking.

Is the inspection result normal?

YES >> INSPECTION END

NO >> Go to diagnosis procedure. Refer to [BRC-64. "Diagnosis Procedure"](#).

### Special Repair Requirement

INFOID:000000001832543

#### **1.** ADJUSTMENT OF STEERING ANGLE SENSOR NEUTRAL POSITION

Always perform the neutral position adjustment for the steering angle sensor, when replacing the ABS actuator and electric unit (control unit). Refer to [BRC-8. "ADJUSTMENT OF STEERING ANGLE SENSOR NEUTRAL POSITION : Description"](#).

>> END

# C1155 BRAKE FLUID LEVEL SWITCH

< DTC/CIRCUIT DIAGNOSIS >

[VDC/TCS/ABS]

## C1155 BRAKE FLUID LEVEL SWITCH

### Description

INFOID:000000001832544

The brake fluid level switch converts the brake fluid level to an electric signal and transmits it to the ABS actuator and electric unit (control unit).

### DTC Logic

INFOID:000000001832545

### DTC DETECTION LOGIC

DTC	Display item	Malfunction detected condition	Possible cause
C1155	BR FLUID LEVEL LOW	Brake fluid level is low or communication line between the ABS actuator and electric unit (control unit) and brake fluid level switch is open or shorted.	<ul style="list-style-type: none"><li>• Harness or connector</li><li>• Brake fluid level switch</li><li>• Unified meter and A/C amp.</li></ul>

### DTC CONFIRMATION PROCEDURE

#### 1.CHECK SELF-DIAGNOSIS RESULTS

Check the self-diagnosis results.

Self-diagnosis results
BR FLUID LEVEL LOW

Is above displayed on the self-diagnosis display?

- YES >> Proceed to diagnosis procedure. Refer to [BRC-67. "Diagnosis Procedure"](#).  
NO >> INSPECTION END

### Diagnosis Procedure

INFOID:000000001832546

### INSPECTION PROCEDURE

#### 1.CHECK CONNECTOR

1. Turn ignition switch OFF.
2. Disconnect brake fluid level switch connector and unified meter and A/C amp. connector.
3. Check terminal for deformation, disconnection, looseness, and so on. If any malfunction is found, repair or replace terminal.
4. Reconnect connectors and then perform the self-diagnosis.

Is any item indicated on the self-diagnosis display?

- YES >> GO TO 2.  
NO >> Poor connection of connector terminal. Repair or replace connector.

#### 2.CHECK BRAKE FLUID LEVEL SWITCH

1. Turn ignition switch OFF.
2. Disconnect brake fluid level switch connector.
3. Check continuity between brake fluid level switch connector terminals.

Brake fluid level switch		Condition	Continuity
Connector	Terminal		
E47	1 - 2	When brake fluid is full in the reservoir tank.	Not existed
		When brake fluid is empty in the reservoir tank.	Existed

Is the inspection result normal?

- YES >> GO TO 3.  
NO >> Brake fluid level switch is malfunction. Replace reservoir tank.

#### 3.CHECK BRAKE FLUID LEVEL SWITCH CIRCUIT

1. Disconnect unified meter and A/C amp. connector.

# C1155 BRAKE FLUID LEVEL SWITCH

[VDC/TCS/ABS]

## < DTC/CIRCUIT DIAGNOSIS >

2. Check continuity between brake fluid level switch harness connector terminals, unified meter and A/C amp. harness connector terminal and/or ground.

Unified meter and A/C amp.		Brake fluid level switch		Continuity
Connector	Terminal	Connector	Terminal	
M67	57	E47	1	Existed

Unified meter and A/C amp.		—	Continuity
Connector	Terminal		
M67	57	Ground	Not existed

Brake fluid level switch		—	Continuity
Connector	Terminal		
E47	2	Ground	Existed

Is the inspection result normal?

- YES >> Replace unified meter and A/C amp.  
NO >> Repair or replace malfunctioning components.

## Component Inspection

INFOID:000000001832547

### 1. CHECK BRAKE FLUID LEVEL SWITCH

1. Turn ignition switch OFF.
2. Disconnect brake fluid level switch connector.
3. Check continuity between brake fluid level switch connector terminals.

Brake fluid level switch		Condition	Continuity
Connector	Terminal		
E47	1 – 2	When brake fluid is full in the reservoir tank.	Not existed
		When brake fluid is empty in the reservoir tank.	Existed

Is the inspection result normal?

- YES >> INSPECTION END  
NO >> Replace reservoir tank.

## Special Repair Requirement

INFOID:000000001832548

### 1. ADJUSTMENT OF STEERING ANGLE SENSOR NEUTRAL POSITION

Always perform the neutral position adjustment for the steering angle sensor, when replacing the ABS actuator and electric unit (control unit). Refer to [BRC-8, "ADJUSTMENT OF STEERING ANGLE SENSOR NEUTRAL POSITION : Description"](#).

>> END

C1185 ICC UNIT

Description

INFOID:000000003123412

The ABS actuator and electric unit (control unit) and the ICC sensor integrated unit exchange signals via the CAN communication line.

DTC Logic

INFOID:000000003123413

DTC DETECTION LOGIC

DTC	Display item	Malfunction detected condition	Possible cause
C1185	ACC CONT	ICC sensor integrated unit internal malfunction.	<ul style="list-style-type: none"> <li>• Harness or connector</li> <li>• ICC sensor integrated unit</li> <li>• ABS actuator and electric unit (control unit)</li> <li>• CAN communication line</li> </ul>

DTC CONFIRMATION PROCEDURE

1.CHECK SELF-DIAGNOSIS RESULTS

Check the self-diagnosis results.

Self-diagnosis results
ACC CONT

Is above displayed on the self-diagnosis display?

- YES >> Proceed to diagnosis procedure. Refer to [BRC-69. "Diagnosis Procedure"](#).
- NO >> INSPECTION END

Diagnosis Procedure

INFOID:000000003123414

1.CHECK ICC SENSOR INTEGRATED UNIT CIRCUIT

Perform ICC sensor integrated unit self-diagnosis.

Is any item indicated on the self-diagnosis display?

- YES >> Repair or replace malfunction components.
- NO >> GO TO 2.

2.CHECK ABS ACTUATOR AND ELECTRIC UNIT (CONTROL UNIT)

Perform ABS actuator and electric unit (control unit) self-diagnosis.

Is any item indicated on the self-diagnosis display?

- YES >> Repair or replace malfunction components.
- NO >> INSPECTION END

Special Repair Requirement

INFOID:000000003123415

1.AJUSTMENT OF STEERING ANGLE SENSOR NEUTRAL POSITION

Always perform the neutral position adjustment for the steering angle sensor, when replacing the ABS actuator and electric unit (control unit). Refer to [BRC-8. "ADJUSTMENT OF STEERING ANGLE SENSOR NEUTRAL POSITION : Description"](#).

>> END

# U1000, U1002 CAN COMM CIRCUIT

< DTC/CIRCUIT DIAGNOSIS >

[VDC/TCS/ABS]

## U1000, U1002 CAN COMM CIRCUIT

### Description

INFOID:000000001832549

CAN (Controller Area Network) is a serial communication line for real time application. It is an on-vehicle multiplex communication line with high data communication speed and excellent error detection ability. Many electronic control units are equipped onto a vehicle, and each control unit shares information and links with other control units during operation (not independent). In CAN communication, control units are connected with 2 communication lines (CAN H line, CAN L line) allowing a high rate of information transmission with less wiring. Each control unit transmits/receives data but selectively reads required data only.

### DTC Logic

INFOID:000000001832550

### DTC DETECTION LOGIC

DTC	Display item	Malfunction detected condition	Possible cause
U1000	CAN COMM CIRCUIT	When ABS actuator and electric unit (control unit) is not transmitting or receiving CAN communication signal for 2 seconds or more.	<ul style="list-style-type: none"><li>CAN communication line</li><li>ABS actuator and electric unit (control unit)</li></ul>
U1002	SYSTEM COMM	When ABS actuator and electric unit (control unit) is not transmitting or receiving CAN communication signal for 2 seconds or less.	

### Diagnosis Procedure

INFOID:000000001832551

#### INSPECTION PROCEDURE

##### 1. CHECK CONNECTOR

- Turn ignition switch OFF.
- Disconnect ABS actuator and electric unit (control unit) connector.
- Check terminal for deformation, disconnection, looseness, and so on. If any malfunction is found, repair or replace terminal.
- Reconnect connector and perform self-diagnosis.

Self-diagnosis results

CAN COMM CIRCUIT

SYSTEM COMM

Is above displayed on the self-diagnosis display?

YES >> Go to [LAN-28, "CAN System Specification Chart"](#).

NO >> INSPECTION END

### Special Repair Requirement

INFOID:000000001832552

##### 1. ADJUSTMENT OF STEERING ANGLE SENSOR NEUTRAL POSITION

Always perform the neutral position adjustment for the steering angle sensor, when replacing the ABS actuator and electric unit (control unit). Refer to [BRC-8, "ADJUSTMENT OF STEERING ANGLE SENSOR NEUTRAL POSITION : Description"](#).

>> END

# PARKING BRAKE SWITCH

< DTC/CIRCUIT DIAGNOSIS >

[VDC/TCS/ABS]

## PARKING BRAKE SWITCH

### Description

INFOID:000000001832553

The parking brake switch converts the status of the parking brake lever (M/T models) or the parking brake pedal (A/T models) to an electric signal and transmits it to the ABS actuator and electric unit (control unit).

### Component Function Check

INFOID:000000001832554

#### 1.CHECK PARKING BRAKE SWITCH OPERATION

Operate the parking brake lever (M/T models) or the parking brake pedal (A/T models). Then check that the brake warning lamp in the combination meter turns on/off correctly.

Condition	Brake warning lamp illumination status
When the parking brake switch is operation	ON
When the parking brake switch is not operation.	OFF

Is the inspection result normal?

YES >> INSPECTION END

NO >> Go to diagnosis procedure. Refer to [BRC-71, "Diagnosis Procedure"](#).

### Diagnosis Procedure

INFOID:000000001832555

#### 1.CHECK PARKING BRAKE SWITCH

1. Turn ignition switch OFF.
2. Disconnect parking brake switch connector.
3. Check continuity between parking brake switch connector terminal.

Parking brake switch		—	Condition	Continuity
Connector	Terminal			
B14 (M/T models) E107 (A/T models)	1	Ground	When the parking brake switch is operated.	Existed
			When the parking brake switch is not operated.	Not existed

Is the inspection result normal?

YES >> GO TO 2.

NO >> Replace parking brake switch.

#### 2.CHECK COMBINATION METER

Check if the indication and operation of combination meter are normal. Refer to [MWI-35, "Diagnosis Description"](#).

Is the inspection result normal?

YES >> GO TO 3.

NO >> Repair or replace combination meter.

#### 3.CHECK DATA MONITOR

On "DATA MONITOR", select "PARK BRAKE SW" and perform the parking brake switch inspection.

Condition	PARK BRAKE SW (DATA MONITOR)
Parking brake switch is active	ON
Parking brake switch is inactive	OFF

Is the inspection result normal?

YES >> INSPECTION END

NO >> Check unified meter and A/C amp. Refer to [MWI-37, "CONSULT-III Function \(METER/M&A\)"](#).

# PARKING BRAKE SWITCH

< DTC/CIRCUIT DIAGNOSIS >

[VDC/TCS/ABS]

## Component Inspection

INFOID:000000001832556

### INSPECTION PROCEDURE

#### 1. CHECK PARKING BRAKE SWITCH

1. Turn ignition switch OFF.
2. Disconnect parking brake switch connector.
3. Check continuity between parking brake switch connector terminal.

Parking brake switch		—	Condition	Continuity
Connector	Terminal			
B14 (M/T models) E107 (A/T models)	1	Ground	When the parking brake switch is operated.	Existed
			When the parking brake switch is not operated.	Not existed

Is the inspection result normal?

- YES >> INSPECTION END  
NO >> Replace parking brake switch.



# VDC OFF SWITCH

< DTC/CIRCUIT DIAGNOSIS >

[VDC/TCS/ABS]

## VDC OFF SWITCH

### Description

INFOID:000000001832557

VDC OFF switch can deactivate (turn OFF) the VDC/TCS function by pressing the VDC OFF switch.

### Component Function Check

INFOID:000000001832558

#### 1.CHECK VDC OFF SWITCH OPERATION

Turn ON/OFF the VDC OFF switch and check that the VDC OFF indicator lamp in the combination meter turns ON/OFF correctly.

Condition	VDC OFF indicator lamp illumination status
VDC OFF switch: ON	ON
VDC OFF switch: OFF	OFF

Is the inspection result normal?

YES >> INSPECTION END

NO >> Go to diagnosis procedure. Refer to [BRC-73. "Diagnosis Procedure"](#).

### Diagnosis Procedure

INFOID:000000001832559

#### 1.CHECK VDC OFF SWITCH

1. Turn ignition switch OFF.
2. Disconnect VDC OFF switch connector.
3. Check continuity between VDC OFF switch connector terminals.

VDC OFF switch		Condition	Continuity
Connector	Terminal		
M19	1 – 2	When VDC OFF switch is hold pressed.	Existed
		When releasing VDC OFF switch.	Not existed

Is the inspection result normal?

YES >> GO TO 2.

NO >> VDC OFF switch is malfunctioning. Replace VDC OFF switch.

#### 2.CHECK VDC OFF SWITCH HARNESS

1. Disconnect ABS actuator and electric unit (control unit) connector.
2. Check continuity between VDC OFF switch connector terminals and ABS actuator and electric unit (control unit) connector terminal and/or ground.

ABS actuator and electric unit (control unit)		VDC OFF switch		Continuity
Connector	Terminal	Connector	Terminal	
E41	31	M19	1	Existed

ABS actuator and electric unit (control unit)		—	Continuity
Connector	Terminal		
E41	31	Ground	Not existed

VDC OFF switch		—	Continuity
Connector	Terminal		
M19	2	Ground	Existed

Is the inspection result normal?

A  
B  
C  
D  
E  
G  
H  
I  
J  
K  
L  
M  
N  
O  
P

**BRC**

# VDC OFF SWITCH

[VDC/TCS/ABS]

< DTC/CIRCUIT DIAGNOSIS >

- YES >> GO TO 3.  
NO >> If the open or short in harness, repair or replace harness.

## 3.CHECK COMBINATION METER

Check if the indication and operation of combination meter are normal. Refer to [MWI-35. "Diagnosis Description"](#).

Is the inspection result normal?

- YES >> Replace ABS actuator and electric unit (control unit).  
NO >> Repair or replace combination meter.

## Component Inspection

INFOID:000000001832560

### INSPECTION PROCEDURE

#### 1.CHECK VDC OFF SWITCH

1. Turn ignition switch OFF.
2. Disconnect VDC OFF switch connector.
3. Check continuity between VDC OFF switch connector terminals.

VDC OFF switch		Condition	Continuity
Connector	Terminal		
M19	1 - 2	When VDC OFF switch is hold pressed.	Existed
		When releasing VDC OFF switch.	Not existed

Is the inspection result normal?

- YES >> INSPECTION END  
NO >> Replace VDC OFF switch.

# ABS WARNING LAMP

< DTC/CIRCUIT DIAGNOSIS >

[VDC/TCS/ABS]

## ABS WARNING LAMP

### Description

INFOID:000000001832561

×: ON –: OFF

Condition	ABS warning lamp
Ignition switch OFF	–
For 1 second after turning ignition switch ON	×
1 second later after turning ignition switch ON	–
ABS function is malfunctioning.	×
EBD function is malfunctioning.	×

### Component Function Check

INFOID:000000001832562

#### 1.CHECK ABS WARNING LAMP OPERATION

Check that the lamp illuminates for approximately 1 second after the ignition switch is turned ON.

Is the inspection result normal?

YES >> INSPECTION END

NO >> Go to diagnosis procedure. Refer to [BRC-75. "Diagnosis Procedure"](#).

#### Diagnosis Procedure

INFOID:000000001832563

#### 1.CHECK SELF-DIAGNOSIS

Perform ABS actuator and electric unit (control unit) self-diagnosis.

Is the inspection result normal?

YES >> GO TO 2.

NO >> Check items displayed by self-diagnosis.

#### 2.CHECK COMBINATION METER

Check if the indication and operation of combination meter are normal. Refer to [MWI-35. "Diagnosis Description"](#).

Is the inspection result normal?

YES >> Replace ABS actuator and electric unit (control unit).

NO >> Repair or replace combination meter.

A  
B  
C  
D  
E  
BRC  
G  
H  
I  
J  
K  
L  
M  
N  
O  
P

# BRAKE WARNING LAMP

[VDC/TCS/ABS]

< DTC/CIRCUIT DIAGNOSIS >

## BRAKE WARNING LAMP

### Description

INFOID:000000001832564

×: ON –: OFF

Condition	Brake warning lamp (Note 1)
Ignition switch OFF	–
For 1 second after turning ignition switch ON	× (Note 2)
1 second later after turning ignition switch ON	× (Note 2)
EBD function is malfunctioning.	×

#### NOTE:

- 1: Brake warning lamp will turn on in case of parking brake operation (when switch is ON) or of brake fluid level switch operation (when brake fluid is insufficient).
- 2: After starting engine, brake warning lamp is turned off.

### Component Function Check

INFOID:000000001832565

#### 1. BRAKE WARNING LAMP OPERATION CHECK 1

Check that the lamp illuminates for approximately 1 second after the ignition switch is turned ON.

Is the inspection result normal?

YES >> GO TO 2.

NO >> Go to diagnosis procedure. Refer to [BRC-76, "Diagnosis Procedure"](#).

#### 2. BRAKE WARNING LAMP OPERATION CHECK 2

Check that the brake warning lamp in the combination meter turns ON/OFF correctly when operating the parking brake lever (M/T models) or the parking brake pedal (A/T models).

Is the inspection result normal?

YES >> INSPECTION END

NO >> Check parking brake switch. Refer to [BRC-71, "Diagnosis Procedure"](#).

### Diagnosis Procedure

INFOID:000000001832566

#### 1. CHECK PARKING BRAKE SWITCH

Check that the brake warning lamp in the combination meter turns ON/OFF correctly when operating the parking brake lever (M/T models) or the parking brake pedal (A/T models).

Is the inspection result normal?

YES >> GO TO 2.

NO >> Check parking brake switch. Refer to [BRC-71, "Diagnosis Procedure"](#).

#### 2. CHECK SELF-DIAGNOSIS

Perform ABS actuator and electric unit (control unit) self-diagnosis.

Is the inspection result normal?

YES >> GO TO 3.

NO >> Check items displayed by self-diagnosis.

#### 3. CHECK COMBINATION METER

Check if the indication and operation of combination meter are normal. Refer to [MWI-35, "Diagnosis Description"](#).

Is the inspection result normal?

YES >> Replace ABS actuator and electric unit (control unit).

NO >> Repair or replace combination meter.

# VDC OFF INDICATOR LAMP

< DTC/CIRCUIT DIAGNOSIS >

[VDC/TCS/ABS]

## VDC OFF INDICATOR LAMP

### Description

INFOID:000000001832567

x: ON –: OFF

Condition	VDC OFF indicator lamp
Ignition switch OFF	–
For 1 second after turning ignition switch ON	x
1 second later after turning ignition switch ON	–
VDC OFF switch turned ON. (VDC function is OFF.)	x
VDC/TCS function is malfunctioning.	x
ABS function is malfunctioning.	x
EBD function is malfunctioning.	x

### Component Function Check

INFOID:000000001832568

#### 1.VDC OFF INDICATOR LAMP OPERATION CHECK 1

Check that the lamp illuminates for approximately 1 second after the ignition switch is turned ON.

Is the inspection result normal?

YES >> GO TO 2.

NO >> Go to diagnosis procedure. Refer to [BRC-77, "Diagnosis Procedure"](#).

#### 2.VDC OFF INDICATOR LAMP OPERATION CHECK 2

Check that the VDC OFF indicator lamp in the combination meter turns ON/OFF correctly when operating the VDC OFF switch.

Is the inspection result normal?

YES >> INSPECTION END

NO >> Check VDC OFF switch. Refer to [BRC-73, "Diagnosis Procedure"](#).

### Diagnosis Procedure

INFOID:000000001832569

#### 1.CHECK VDC OFF SWITCH

Check that the VDC OFF indicator lamp in the combination meter turns ON/OFF correctly when operating the VDC OFF switch.

Is the inspection result normal?

YES >> GO TO 2.

NO >> Check VDC OFF switch. Refer to [BRC-73, "Diagnosis Procedure"](#).

#### 2.CHECK SELF-DIAGNOSIS

Perform ABS actuator and electric unit (control unit) self-diagnosis.

Is the inspection result normal?

YES >> GO TO 3.

NO >> Check items displayed by self-diagnosis.

#### 3.CHECK COMBINATION METER

Check if the indication and operation of combination meter are normal. Refer to [MWI-35, "Diagnosis Description"](#).

Is the inspection result normal?

YES >> Replace ABS actuator and electric unit (control unit).

NO >> Repair or replace combination meter.

# SLIP INDICATOR LAMP

< DTC/CIRCUIT DIAGNOSIS >

[VDC/TCS/ABS]

## SLIP INDICATOR LAMP

### Description

INFOID:000000001832570

×: ON –: OFF

Condition	SLIP indicator lamp
Ignition switch OFF	–
For 1 second after turning ignition switch ON	×
1 second later after turning ignition switch ON	–
VDC/TCS function is malfunctioning.	×
ABS function is malfunctioning.	×
EBD function is malfunctioning.	×

### Component Function Check

INFOID:000000001832571

#### 1. CHECK SLIP INDICATOR LAMP OPERATION

Check that the lamp illuminates for approximately 1 second after the ignition switch is turned ON.

Is the inspection result normal?

YES >> INSPECTION END

NO >> Go to diagnosis procedure. Refer to [BRC-78. "Diagnosis Procedure"](#).

### Diagnosis Procedure

INFOID:000000001832572

#### 1. CHECK SELF-DIAGNOSIS

Perform ABS actuator and electric unit (control unit) self-diagnosis.

Is the inspection result normal?

YES >> GO TO 2.

NO >> Check items displayed by self-diagnosis.

#### 2. CHECK COMBINATION METER

Check if the indication and operation of combination meter are normal. Refer to [MWI-35. "Diagnosis Description"](#).

Is the inspection result normal?

YES >> Replace ABS actuator and electric unit (control unit).

NO >> Repair or replace combination meter.

# ABS ACTUATOR AND ELECTRIC UNIT (CONTROL UNIT)

< ECU DIAGNOSIS INFORMATION >

[VDC/TCS/ABS]

## ECU DIAGNOSIS INFORMATION

### ABS ACTUATOR AND ELECTRIC UNIT (CONTROL UNIT)

#### Reference Value

INFOID:000000001832573

#### VALUES ON THE DIAGNOSIS TOOL

#### CAUTION:

The display shows the control unit calculation data, so a normal value might be displayed even in the event the output circuit (harness) is open or short-circuited.

#### CONSULT-III MONITOR ITEM

Monitor item	Display content	Data monitor	
		Condition	Reference value in normal operation
FR LH SENSOR	Wheel speed	Vehicle stopped	0 [km/h (MPH)]
		Vehicle running (Note 1)	Nearly matches the speed meter display ( $\pm 10\%$ or less)
FR RH SENSOR	Wheel speed	Vehicle stopped	0 [km/h (MPH)]
		Vehicle running (Note 1)	Nearly matches the speed meter display ( $\pm 10\%$ or less)
RR LH SENSOR	Wheel speed	Vehicle stopped	0 [km/h (MPH)]
		Vehicle running (Note 1)	Nearly matches the speed meter display ( $\pm 10\%$ or less)
RR RH SENSOR	Wheel speed	Vehicle stopped	0 [km/h (MPH)]
		Vehicle running (Note 1)	Nearly matches the speed meter display ( $\pm 10\%$ or less)
STOP LAMP SW	Stop lamp switch signal status	When brake pedal is depressed	On
		When brake pedal is not depressed	Off
BATTERY VOLT	Battery voltage supplied to the ABS actuator and electric unit (control unit)	Ignition switch ON	10 – 16 V
GEAR	Gear position determined by TCM	First gear (1GR)	1
		Second gear (2GR)	2
		Third gear (3GR)	3
		Forth gear (4GR)	4
		Fifth gear (5GR)	5
SLCT LVR POSI	A/T selector lever position	P position	P
		R position	R
		N position	N
		D position	D
OFF SW	VDC OFF switch ON/OFF	VDC OFF switch ON (When VDC OFF indicator lamp is ON)	On
		VDC OFF switch OFF (When VDC OFF indicator lamp is OFF)	Off
YAW RATE SEN	Yaw rate detected by yaw rate/side G sensor	When vehicle stop	Approx. 0 d/s
		When vehicle turning	-75 to 75 d/s
ACCEL POS SIG	Throttle actuator opening/closing is displayed (linked with accelerator pedal)	Accelerator pedal not depressed (ignition switch is ON)	0 %
		Depress accelerator pedal (ignition switch is ON)	0 - 100 %

# ABS ACTUATOR AND ELECTRIC UNIT (CONTROL UNIT)

< ECU DIAGNOSIS INFORMATION >

[VDC/TCS/ABS]

Monitor item	Display content	Data monitor	
		Condition	Reference value in normal operation
SIDE G-SENSOR	Transverse G detected by side G sensor	Vehicle stopped	Approx. 0 m/s <sup>2</sup>
		Vehicle turning right	Negative value (m/s <sup>2</sup> )
		Vehicle turning left	Positive value (m/s <sup>2</sup> )
STR ANGLE SIG	Steering angle detected by steering angle sensor	Straight-ahead	Approx. 0°
		Steering wheel turned	-720 to 720°
4WD MODE MON (Note 2)	AWD activated	Engine running	AUTO
PRESS SENSOR	Brake fluid pressure detected by pressure sensor	With ignition switch turned ON and brake pedal released	Approx. 0 bar
		With ignition switch turned ON and brake pedal depressed	-40 to 300 bar
ENGINE RPM	With engine running	With engine stopped	0 rpm
		Engine running	Almost in accordance with tachometer display
FLUID LEV SW	Brake fluid level switch signal status	When brake fluid level switch ON	On
		When brake fluid level switch OFF	Off
PARK BRAKE SW	Parking brake switch signal status	Parking brake switch is active	On
		Parking brake switch is inactive	Off
FR RH IN SOL	Operation status of each solenoid valve	Actuator (solenoid valve) is active ("ACTIVE TEST" with CONSULT-III) or actuator relay is inactive (in fail-safe mode)	On
		When the actuator (solenoid valve) is not active and actuator relay is active (ignition switch ON)	Off
FR RH OUT SOL	Operation status of each solenoid valve	Actuator (solenoid valve) is active ("ACTIVE TEST" with CONSULT-III) or actuator relay is inactive (in fail-safe mode)	On
		When the actuator (solenoid valve) is not active and actuator relay is active (ignition switch ON)	Off
FR LH IN SOL	Operation status of each solenoid valve	Actuator (solenoid valve) is active ("ACTIVE TEST" with CONSULT-III) or actuator relay is inactive (in fail-safe mode)	On
		When the actuator (solenoid valve) is not active and actuator relay is active (ignition switch ON)	Off
FR LH OUT SOL	Operation status of each solenoid valve	Actuator (solenoid valve) is active ("ACTIVE TEST" with CONSULT-III) or actuator relay is inactive (in fail-safe mode)	On
		When the actuator (solenoid valve) is not active and actuator relay is active (ignition switch ON)	Off
RR RH IN SOL	Operation status of each solenoid valve	Actuator (solenoid valve) is active ("ACTIVE TEST" with CONSULT-III) or actuator relay is inactive (in fail-safe mode)	On
		When the actuator (solenoid valve) is not active and actuator relay is active (ignition switch ON)	Off



# ABS ACTUATOR AND ELECTRIC UNIT (CONTROL UNIT)

< ECU DIAGNOSIS INFORMATION >

[VDC/TCS/ABS]

Monitor item	Display content	Data monitor	
		Condition	Reference value in normal operation
RR RH OUT SOL	Operation status of each solenoid valve	Actuator (solenoid valve) is active ("ACTIVE TEST" with CONSULT-III) or actuator relay is inactive (in fail-safe mode)	On
		When the actuator (solenoid valve) is not active and actuator relay is active (ignition switch ON)	Off
RR LH IN SOL	Operation status of each solenoid valve	Actuator (solenoid valve) is active ("ACTIVE TEST" with CONSULT-III) or actuator relay is inactive (in fail-safe mode)	On
		When the actuator (solenoid valve) is not active and actuator relay is active (ignition switch ON)	Off
RR LH OUT SOL	Operation status of each solenoid valve	Actuator (solenoid valve) is active ("ACTIVE TEST" with CONSULT-III) or actuator relay is inactive (in fail-safe mode)	On
		When the actuator (solenoid valve) is not active and actuator relay is active (ignition switch ON)	Off
MOTOR RELAY	Motor and motor relay operation	When the motor relay and motor are operating	On
		When the motor relay and motor are not operating	Off
ACTUATOR RLY (Note 3)	Actuator relay operation	When the actuator relay is operating	On
		When the actuator relay is not operating	Off
ABS WARN LAMP	ABS warning lamp (Note 4)	When ABS warning lamp is ON	On
		When ABS warning lamp is OFF	Off
OFF LAMP	VDC OFF indicator lamp (Note 4)	When VDC OFF indicator lamp is ON	On
		When VDC OFF indicator lamp is OFF	Off
SLIP LAMP	SLIP indicator lamp (Note 4)	When SLIP indicator lamp is ON	On
		When SLIP indicator lamp is OFF	Off
SNOW MODE SW	SNOW mode switch	When snow mode switch is ON	On
		When snow mode switch is OFF	Off
4WD FAIL REQ (Note 2)	AWD control unit fail-safe signal	When AWD control unit is fail-safe mode	On
		When AWD control unit is normal	Off
BST OPER SIG	Not applied but displayed	—	Off
M-MODE SIG	Manual mode activated	When the manual mode is active	On
		When the manual mode is inactive	Off
EBD SIGNAL	EBD operation	EBD is active	On
		EBD is inactive	Off
ABS SIGNAL	ABS operation	ABS is active	On
		ABS is inactive	Off
TCS SIGNAL	TCS operation	TCS is active	On
		TCS is inactive	Off
VDC SIGNAL	VDC operation	VDC is active	On
		VDC is inactive	Off
EBD FAIL SIG	EBD fail-safe signal	In EBD fail-safe	On
		EBD is normal	Off

A  
B  
C  
D  
E  
BRC  
G  
H  
I  
J  
K  
L  
M  
N  
O  
P

# ABS ACTUATOR AND ELECTRIC UNIT (CONTROL UNIT)

< ECU DIAGNOSIS INFORMATION >

[VDC/TCS/ABS]

Monitor item	Display content	Data monitor	
		Condition	Reference value in normal operation
ABS FAIL SIG	ABS fail-safe signal	In ABS fail-safe	On
		ABS is normal	Off
TCS FAIL SIG	TCS fail-safe signal	In TCS fail-safe	On
		TCS is normal	Off
VDC FAIL SIG	VDC fail-safe signal	In VDC fail-safe	On
		VDC is normal	Off
CRANKING SIG	Crank operation	Crank is active	On
		Crank is inactive	Off
USV [FL-RR] (Note 3)	VDC switch-over valve	When actuator (switch-over valve) is active ("ACTIVE TEST" with CONSULT-III) or actuator relay is inactive (when in fail-safe mode)	On
		When actuator (switch-over valve) is not active and actuator relay is active (ignition switch ON)	Off
USV [FR-RL] (Note 3)	VDC switch-over valve	When actuator (switch-over valve) is active ("ACTIVE TEST" with CONSULT-III) or actuator relay is inactive (when in fail-safe mode)	On
		When actuator (switch-over valve) is not active and actuator relay is active (ignition switch ON)	Off
HSV [FL-RR] (Note 3)	VDC switch-over valve	When actuator (switch-over valve) is active ("ACTIVE TEST" with CONSULT-III) or actuator relay is inactive (when in fail-safe mode)	On
		When actuator (switch-over valve) is not active and actuator relay is active (ignition switch ON)	Off
HSV [FR-RL] (Note 3)	VDC switch-over valve	When actuator (switch-over valve) is active ("ACTIVE TEST" with CONSULT-III) or actuator relay is inactive (when in fail-safe mode)	On
		When actuator (switch-over valve) is not active and actuator relay is active (ignition switch ON)	Off
V/R OUTPUT (Note 3)	Solenoid valve relay activated	When the solenoid valve relay is active (When ignition switch OFF)	On
		When the solenoid valve relay is not active (in the fail-safe mode)	Off
M/R OUTPUT	Actuator motor and motor relay activated	When the actuator motor and motor relay are active ("ACTIVE TEST" with CONSULT-III)	On
		When the actuator motor and motor relay are inactive	Off

**NOTE:**

- 1: Confirm tire pressure is normal.
- 2: Only AWD models.
- 3: A brief moment of On/Off condition occurs every 20 seconds after ignition switch turned ON. This is not malfunction because it is an operation for checking.
- 4: On and off timing for warning lamp and indicator lamp.
- ABS warning lamp: Refer to [BRC-75. "Description"](#).

# ABS ACTUATOR AND ELECTRIC UNIT (CONTROL UNIT)

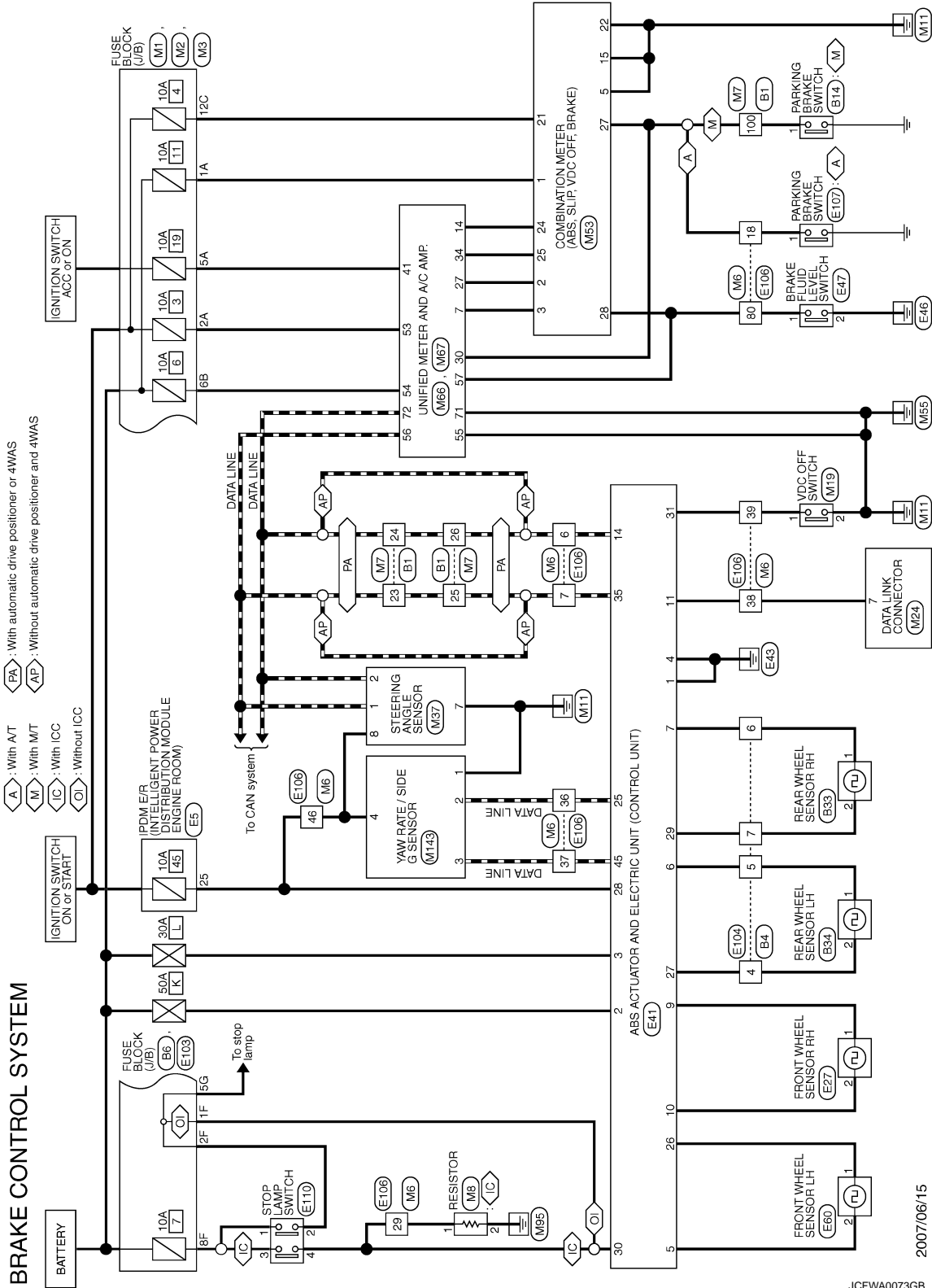
[VDC/TCS/ABS]

## < ECU DIAGNOSIS INFORMATION >

- Brake warning lamp: Refer to [BRC-76, "Description"](#).
- VDC OFF indicator lamp: Refer to [BRC-77, "Description"](#).
- SLIP indicator lamp: Refer to [BRC-78, "Description"](#).

## Wiring Diagram - BRAKE CONTROL SYSTEM -

INFOID:000000001832574



2007/06/15

JCFWA0073GB

A  
B  
C  
D  
E  
F  
G  
H  
I  
J  
K  
L  
M  
N  
O  
P

BRC

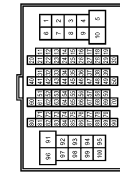
# ABS ACTUATOR AND ELECTRIC UNIT (CONTROL UNIT)

< ECU DIAGNOSIS INFORMATION >

[VDC/TCS/ABS]

## BRAKE CONTROL SYSTEM

Connector No.	B1
Connector Name	WIRE TO WIRE
Connector Type	TH8DFW-CS16-TM4



Terminal No.	Color of Wire	Signal Name [Specification]
23	L	-
24	P	-
25	L	-
26	P	-
100	V	-

Connector No.	B4
Connector Name	WIRE TO WIRE
Connector Type	NS08FW-CS



Terminal No.	Color of Wire	Signal Name [Specification]
4	GR	-
5	O	-
6	BR	-
7	LG	-

Connector No.	B6
Connector Name	FUSE BLOCK (J/B)
Connector Type	NS12FER-CS



Terminal No.	Color of Wire	Signal Name [Specification]
5G	LG	-

Connector No.	B14
Connector Name	PARKING BRAKE SWITCH (M/T)
Connector Type	PR01FB-A



Terminal No.	Color of Wire	Signal Name [Specification]
1	V	-

Connector No.	B33
Connector Name	REAR WHEEL SENSOR RH
Connector Type	AAZ02FB1



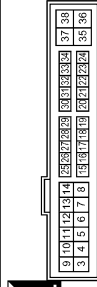
Terminal No.	Color of Wire	Signal Name [Specification]
1	BR	-
2	LG	-

Connector No.	B34
Connector Name	REAR WHEEL SENSOR LH
Connector Type	AAZ02FB2



Terminal No.	Color of Wire	Signal Name [Specification]
1	O	-
2	GR	-

Connector No.	E5
Connector Name	FRONT INTELLIGENT POWER DISTRIBUTION MODULE (ENGINE ROOM)
Connector Type	TH2DFW-CS12-IM-TV



Terminal No.	Color of Wire	Signal Name [Specification]
25	G	-

Connector No.	E27
Connector Name	FRONT WHEEL SENSOR RH
Connector Type	AAZ02FB1



Terminal No.	Color of Wire	Signal Name [Specification]
1	B	-
2	W	-

JCFWA0074GB


# ABS ACTUATOR AND ELECTRIC UNIT (CONTROL UNIT)

< ECU DIAGNOSIS INFORMATION >

[VDC/TCS/ABS]

## BRAKE CONTROL SYSTEM

Connector No.	E41
Connector Name	ABS ACTUATOR AND ELECTRIC UNIT (CONTROL UNIT)
Connector Type	8A42FB-AHZ4-LH




Terminal No.	Color of Wire	Signal Name [Specification]
1	B	GND
2	G	UBMR
3	R	UBVR
4	B	GND
5	Y	DS FL
6	O	DP RL
7	BR	DP RR
9	B	DP FR
10	W	DS FR
11	V	DIAG-K
14	P	CAN-L



Connector No.	E103
Connector Name	FUSE BLOCK (J/B)
Connector Type	MS16FW-CS




Terminal No.	Color of Wire	Signal Name [Specification]
1F	SB	-
2F	W	-
8F	L	-

25	Y	BUS-L
26	LG	DP FL
27	GR	DS FL
28	G	LU*
29	LG	DS BR
30	SB	BLS
31	R	VDC OFF-SW
35	L	CAN-H
45	B	BUS-H



Terminal No.	Color of Wire	Signal Name [Specification]
1	W	-
2	B/W	-

Connector No.	E104
Connector Name	WIRE TO WIRE
Connector Type	NS08MW-CS





Terminal No.	Color of Wire	Signal Name [Specification]
4	GR	-
5	O	-
6	BR	-
7	LG	-

Connector No.	E47
Connector Name	BRAKE FLUID LEVEL SWITCH
Connector Type	YY02FGY





Terminal No.	Color of Wire	Signal Name [Specification]
1	W	-
2	B/W	-

Connector No.	E106
Connector Name	WIRE TO WIRE
Connector Type	TH80FW-CS (P-TM4)




Terminal No.	Color of Wire	Signal Name [Specification]
6	P	-
7	L	-
18	O	-
29	L	-
36	Y	-
37	B	-
38	V	-
39	R	-
46	LG	-
80	W	-

Connector No.	E60
Connector Name	FRONT WHEEL SENSOR LH
Connector Type	AAZ02FB1




Terminal No.	Color of Wire	Signal Name [Specification]
1	LG	-
2	Y	-

Connector No.	E107
Connector Name	PARKING BRAKE SWITCH (A/T)
Connector Type	TE01FW




Terminal No.	Color of Wire	Signal Name [Specification]
1	O	-

A  
B  
C  
D  
E  
BRC  
G  
H  
I  
J  
K  
L  
M  
N  
O  
P

# ABS ACTUATOR AND ELECTRIC UNIT (CONTROL UNIT)

< ECU DIAGNOSIS INFORMATION >

[VDC/TCS/ABS]

## BRAKE CONTROL SYSTEM

Connector No.	E110
Connector Name	STOP LAMP SWITCH
Connector Type	M04FW-LC



Terminal No.	Color of Wire	Signal Name [Specification]
1	L	-
2	W	-
3	L	-
4	SB	-

Connector No.	M1
Connector Name	FUSE BLOCK (J/B)
Connector Type	NS08FW-M2



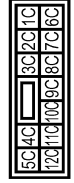
Terminal No.	Color of Wire	Signal Name [Specification]
1A	V	-
2A	G	-
5A	L	-

Connector No.	M2
Connector Name	FUSE BLOCK (J/B)
Connector Type	NS10FW-CS



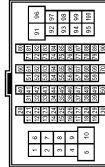
Terminal No.	Color of Wire	Signal Name [Specification]
6B	Y	-

Connector No.	M3
Connector Name	FUSE BLOCK (J/B)
Connector Type	NS12FW-CS



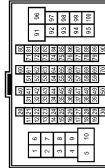
Terminal No.	Color of Wire	Signal Name [Specification]
12C	R	-

Connector No.	M6
Connector Name	WIRE TO WIRE
Connector Type	TH60MW-CS16-TM4



Terminal No.	Color of Wire	Signal Name [Specification]
6	P	-
7	L	-
18	O	-
29	L	-
36	Y	-
37	SB	-
38	V	-
39	LG	-
48	G	-
80	SB	-

Connector No.	M7
Connector Name	WIRE TO WIRE
Connector Type	TH60MW-CS16-TM4



Terminal No.	Color of Wire	Signal Name [Specification]
23	L	-
24	P	-
25	L	-
26	P	-
100	O	-

Connector No.	M8
Connector Name	RESISTOR
Connector Type	M02FBR-LC



Terminal No.	Color of Wire	Signal Name [Specification]
1	L	-
2	B	-

Connector No.	M19
Connector Name	VDC OFF SWITCH
Connector Type	TK08FGY



Terminal No.	Color of Wire	Signal Name [Specification]
1	LG	-
2	B	-

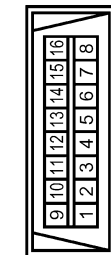
# ABS ACTUATOR AND ELECTRIC UNIT (CONTROL UNIT)

< ECU DIAGNOSIS INFORMATION >

[VDC/TCS/ABS]

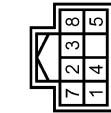
## BRAKE CONTROL SYSTEM

Connector No.	M24
Connector Name	DATA LINK CONNECTOR
Connector Type	BD16FW



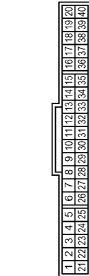
Terminal No.	Color of Wire	Signal Name [Specification]
7	V	-

Connector No.	M37
Connector Name	STEERING ANGLE SENSOR
Connector Type	TH88FW-NH



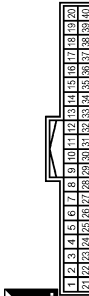
Terminal No.	Color of Wire	Signal Name [Specification]
1	L	CAN-H
2	P	CAN-L
7	B	GND
8	G	IGN

Connector No.	M33
Connector Name	COMBINATION METER
Connector Type	SAB60FW



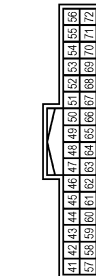
Terminal No.	Color of Wire	Signal Name [Specification]
1	V	BAT
2	LG	COMM (METER->AMP.)
3	GR	COMM (METER->METER)
5	B	GND
15	B	GND
21	R	IGN
22	B	GND
24	BR	COMM (LCD->AMP.)
25	Y	COMM (AMP->LCD)
27	O	PARKING BRAKE SW
28	SB	BRAKE FLUID LEVEL SW

Connector No.	M66
Connector Name	UNIFIED METER AND A/C AMP.
Connector Type	TH40FW-NH



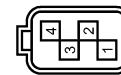
Terminal No.	Color of Wire	Signal Name [Specification]
7	GR	COMM (AMP->METER)
14	BR	COMM (LCD->AMP.)
27	LG	COMM (METER->AMP.)
30	V	PARKING BRAKE SW
34	Y	COMM (AMP->LCD)

Connector No.	M67
Connector Name	UNIFIED METER AND A/C AMP.
Connector Type	TH52FW-NH



Terminal No.	Color of Wire	Signal Name [Specification]
41	L	ACC
53	W	IGN
54	Y	BAT
55	B	GND
56	L	CAN-H
57	LG	COMM (AMP->METER)
71	GR	COMM (AMP->LCD)
72	P	CAN-L

Connector No.	M143
Connector Name	YAW RATE /SIDE G SENSOR
Connector Type	AAZ04FB



Terminal No.	Color of Wire	Signal Name [Specification]
1	GR	GND
2	Y	BUS-L
3	SB	BUS-H
4	G	12V

## Fail-Safe

### ABS, EBD SYSTEM

In case of electrical malfunctions with the ABS, ABS warning lamp, VDC OFF indicator lamp, SLIP indicator lamp will turn on. In case of electrical malfunctions with the EBD, brake warning lamp, ABS warning lamp, VDC OFF indicator lamp and SLIP indicator lamp will turn on. Simultaneously, the VDC/TCS/ABS become one of the following conditions of the fail-safe function.

JCFWA0077GB

INFOID:000000001832575

A  
B  
C  
D  
E  
BRC  
G  
H  
I  
J  
K  
L  
M  
N  
O  
P

# ABS ACTUATOR AND ELECTRIC UNIT (CONTROL UNIT)

< ECU DIAGNOSIS INFORMATION >

[VDC/TCS/ABS]

- For malfunction of ABS, only the EBD is activated and the condition of vehicle is the same condition of vehicles without TCS/ABS system.

**NOTE:**

ABS self-diagnosis sound may be heard. That is a normal condition because a self-diagnosis for “Ignition switch ON” and “The first starting” are being performed.

- For malfunction of EBD, EBD and ABS become inoperative, and the condition of vehicle is the same as the condition of vehicles without TCS/ABS, EBD system.

## VDC / TCS

In case of malfunction in the VDC/TCS/ABS system, VDC OFF indicator lamp, SLIP indicator lamp are turned on, and the condition of vehicle is the same as the condition of vehicles without VDC/TCS control.

**CAUTION:**

**If the Fail-Safe function is activated, then perform self-diagnosis for VDC/TCS/ABS control system.**

## DTC No. Index

INFOID:000000001832576

DTC	Items (CONSULT screen terms)	Reference
C1101	RR RH SENSOR-1	<a href="#">BRC-31, "Description"</a>
C1102	RR LH SENSOR-1	
C1103	FR RH SENSOR-1	
C1104	FR LH SENSOR-1	
C1105	RR RH SENSOR-2	<a href="#">BRC-34, "Description"</a>
C1106	RR LH SENSOR-2	
C1107	FR RH SENSOR-2	
C1108	FR LH SENSOR-2	
C1109	BATTERY VOLTAGE [ABNORMAL]	<a href="#">BRC-37, "Description"</a>
C1110	CONTROLLER FAILURE	<a href="#">BRC-39, "DTC Logic"</a>
C1111	PUMP MOTOR	<a href="#">BRC-40, "Description"</a>
C1114	MAIN RELAY	<a href="#">BRC-42, "Description"</a>
C1115	ABS SENSOR [ABNORMAL SIGNAL]	<a href="#">BRC-44, "Description"</a>
C1116	STOP LAMP SW	<a href="#">BRC-47, "Description"</a>
C1120	FR LH IN ABS SOL	<a href="#">BRC-49, "Description"</a>
C1121	FR LH OUT ABS SOL	<a href="#">BRC-52, "Description"</a>
C1122	FR RH IN ABS SOL	<a href="#">BRC-49, "Description"</a>
C1123	FR RH OUT ABS SOL	<a href="#">BRC-52, "Description"</a>
C1124	RR LH IN ABS SOL	<a href="#">BRC-49, "Description"</a>
C1125	RR LH OUT ABS SOL	<a href="#">BRC-52, "Description"</a>
C1126	RR RH IN ABS SOL	<a href="#">BRC-49, "Description"</a>
C1127	RR RH OUT ABS SOL	<a href="#">BRC-52, "Description"</a>
C1130	ENGINE SIGNAL 1	<a href="#">BRC-55, "Description"</a>
C1131	ENGINE SIGNAL 2	
C1132	ENGINE SIGNAL 3	
C1138	4WAS CIRCUIT	<a href="#">BRC-56, "Description"</a>
C1142	PRESS SEN CIRCUIT	<a href="#">BRC-57, "Description"</a>
C1143	ST ANG SEN CIRCUIT	<a href="#">BRC-59, "Description"</a>
C1144	ST ANG SEN SIGNAL	
C1145	YAW RATE SENSOR	
C1146	SIDE G-SEN CIRCUIT	<a href="#">BRC-61, "Description"</a>



# ABS ACTUATOR AND ELECTRIC UNIT (CONTROL UNIT)

< ECU DIAGNOSIS INFORMATION >

[VDC/TCS/ABS]

DTC	Items (CONSULT screen terms)	Reference
C1147	USV LINE [FL-RR]	<a href="#">BRC-64, "Description"</a>
C1148	USV LINE [FR-RL]	
C1149	HSV LINE [FL-RR]	
C1150	HSV LINE [FR-RL]	
C1153	EMERGENCY BRAKE	<a href="#">BRC-39, "DTC Logic"</a>
C1155	BR FLUID LEVEL LOW	<a href="#">BRC-67, "Description"</a>
C1170	VARIANT CORDING	<a href="#">BRC-39, "DTC Logic"</a>
C1185	ACC CONT	<a href="#">BRC-69, "Description"</a>
U1000	CAN COMM CIRCUIT	<a href="#">BRC-70, "Description"</a>
U1002	SYSTEM COMM	

A  
B  
C  
D  
E  
  
G  
H  
I  
J  
K  
L  
M  
N  
O  
P

BRC

# SYMPTOM DIAGNOSIS

## VDC/TCS/ABS

### Symptom Table

INFOID:000000001832577

If ABS warning lamp, VDC OFF indicator lamp and SLIP indicator lamp turn ON, perform self-diagnosis.

Symptom	Check item	Reference
Excessive ABS function operation frequency	Brake force distribution	<a href="#">BRC-91. "Diagnosis Procedure"</a>
	Looseness of front and rear axle	
	Wheel sensor and rotor system	
Unexpected pedal reaction	Brake pedal stroke	<a href="#">BRC-92. "Diagnosis Procedure"</a>
	Make sure the braking force is sufficient when the ABS is not operating.	
The braking distance is long	Check stopping distance when the ABS is not operating.	<a href="#">BRC-93. "Diagnosis Procedure"</a>
ABS function does not operate (Note 1)	ABS actuator and electric unit (control unit)	<a href="#">BRC-94. "Diagnosis Procedure"</a>
Pedal vibration or ABS operation sound occurs (Note 2)	Brake pedal	<a href="#">BRC-95. "Diagnosis Procedure"</a>
	ABS actuator and electric unit (control unit)	
Vehicle jerks during VDC/TCS/ABS control	ABS actuator and electric unit (control unit)	<a href="#">BRC-96. "Diagnosis Procedure"</a>
	TCM	
	ECM	

**NOTE:**

- 1: The ABS does not operate when the speed is 10 km/h (6 MPH) or less.
- 2: Under the following conditions, ABS is activated and vibration is felt when brake pedal is lightly depressed (just place a foot on it). However, this is normal.
  - When shifting gears
  - When driving on slippery road
  - During cornering at high speed
  - When passing over bumps or grooves [at approximately 50 mm (1.97 in) or more]
  - When pulling away just after starting engine [at approximately 10 km/h (6 MPH) or higher]

# EXCESSIVE ABS FUNCTION OPERATION FREQUENCY

< SYMPTOM DIAGNOSIS >

[VDC/TCS/ABS]

## EXCESSIVE ABS FUNCTION OPERATION FREQUENCY

### Diagnosis Procedure

INFOID:000000001832578

#### 1.CHECK START

Check front and rear brake force distribution using a brake tester. Refer to [BR-63, "General Specifications"](#).

Is the inspection result normal?

YES >> GO TO 2.

NO >> Check brake system.

#### 2.CHECK FRONT AND REAR AXLE

Make sure that there is no excessive play in the front and rear axles. Refer to front: [FAX-5, "Inspection"](#) (2WD models), [FAX-14, "Inspection"](#) (AWD models), Rear: [RAX-5, "Inspection"](#).

Is the inspection result normal?

YES >> GO TO 3.

NO >> Repair or replace malfunctioning components.

#### 3.CHECK WHEEL SENSOR AND SENSOR ROTOR

Check the following.

- Wheel sensor installation for damage.
- Sensor rotor installation for damage.
- Wheel sensor connector connection.
- Wheel sensor harness inspection.

Is the inspection result normal?

YES >> GO TO 4.

- NO >> • Replace wheel sensor or sensor rotor.  
• Repair harness.

#### 4.CHECK ABS WARNING LAMP DISPLAY

Make sure that the ABS warning lamp is turned off after the ignition switch is turned ON or when driving.

Is the ABS warning lamp illuminated?

YES >> Perform self-diagnosis.

NO >> Normal

A  
B  
C  
D  
E  
BRC  
G  
H  
I  
J  
K  
L  
M  
N  
O  
P

# UNEXPECTED PEDAL REACTION

< SYMPTOM DIAGNOSIS >

[VDC/TCS/ABS]

## UNEXPECTED PEDAL REACTION

### Diagnosis Procedure

INFOID:000000001832579

#### 1.CHECK BRAKE PEDAL STROKE

Check brake pedal stroke. Refer to [BR-8, "Inspection and Adjustment"](#).

Is the stroke too large?

- YES >> • Bleed air from brake tube and hose. Refer to [BR-13, "Bleeding Brake System"](#).  
• Check brake pedal, brake booster, and master cylinder for mount play, looseness, brake system fluid leakage, etc. Refer to [BR-8, "Inspection and Adjustment"](#) (brake pedal), [BR-14, "Inspection"](#) (master cylinder), [BR-15, "Inspection"](#) (brake booster).

NO >> GO TO 2.

#### 2.CHECK FUNCTION

Disconnect ABS actuator and electric unit (control unit) connector to deactivate ABS. Check if braking force is normal in this condition. Connect connector after inspection.

Is the inspection result normal?

- YES >> Normal  
NO >> Check brake system.

# THE BRAKING DISTANCE IS LONG

< SYMPTOM DIAGNOSIS >

[VDC/TCS/ABS]

## THE BRAKING DISTANCE IS LONG

### Diagnosis Procedure

INFOID:000000001832580

#### **CAUTION:**

The stopping distance on slippery road surfaces might be longer when the ABS is operating than when the ABS is not operating.

#### **1**.CHECK FUNCTION

Turn ignition switch OFF and disconnect ABS actuator and electric unit (control unit) connector to deactivate ABS. In this condition, check stopping distance. After inspection, connect connector.

Is the inspection result normal?

YES >> Normal

NO >> Check brake system.

A

B

C

D

E

**BRC**

G

H

I

J

K

L

M

N

O

P

## ABS FUNCTION DOES NOT OPERATE

< SYMPTOM DIAGNOSIS >

[VDC/TCS/ABS]

---

### ABS FUNCTION DOES NOT OPERATE

#### Diagnosis Procedure

INFOID:000000001832581

**CAUTION:**

**ABS does not operate when speed is 10 km/h (6 MPH) or lower.**

**1**.CHECK ABS WARNING LAMP DISPLAY

---

Make sure that the ABS warning lamp turns OFF after ignition switch is turned ON or when driving.

Is the inspection result normal?

YES >> Normal

NO >> Perform self-diagnosis.

# PEDAL VIBRATION OR ABS OPERATION SOUND OCCURS

< SYMPTOM DIAGNOSIS >

[VDC/TCS/ABS]

## PEDAL VIBRATION OR ABS OPERATION SOUND OCCURS

### Diagnosis Procedure

INFOID:000000001832582

#### **CAUTION:**

Under the following conditions, ABS is activated and vibration is felt when brake pedal is lightly depressed (just place a foot on it). However, this is normal.

- When shifting gears
- When driving on slippery road
- During cornering at high speed
- When passing over bumps or grooves [at approximately 50 mm (1.97 in) or more]
- When pulling away just after starting engine [at approximately 10 km/h (6 MPH) or higher]

#### 1. SYMPTOM CHECK 1

Check that there are pedal vibrations when the engine is started.

Do vibrations occur?

YES >> GO TO 2.

NO >> Inspect the brake pedal.

#### 2. SYMPTOM CHECK 2

Check that there are ABS operation noises when the engine is started.

Do the operation noises occur?

YES >> GO TO 3.

NO >> Perform self-diagnosis.

#### 3. SYMPTOM CHECK 3

Check symptoms when electrical component (headlamps, etc.) switches are operated.

Do symptoms occur?

YES >> Check if there is a radio, antenna, antenna lead wire, or wiring close to the control unit. If there is, move it farther away.

NO >> Normal

A  
B  
C  
D  
E  
G  
H  
I  
J  
K  
L  
M  
N  
O  
P

BRC

# VEHICLE JERKS DURING VDC/TCS/ABS CONTROL

< SYMPTOM DIAGNOSIS >

[VDC/TCS/ABS]

## VEHICLE JERKS DURING VDC/TCS/ABS CONTROL

### Diagnosis Procedure

INFOID:000000001832583

#### 1.SYMPTOM CHECK

Check if the vehicle jerks during VDC/TCS/ABS control.

Is the inspection result normal?

- YES >> Normal.
- NO >> GO TO 2.

#### 2.CHECK SELF-DIAGNOSIS RESULTS

Perform self-diagnosis of ABS actuator and electric unit (control unit).

Are self-diagnosis results indicated?

- YES >> Check corresponding items, make repairs, and perform ABS actuator and electric unit (control unit) self-diagnosis.
- NO >> GO TO 3.

#### 3.CHECK CONNECTOR

- Turn ignition switch OFF and disconnect ABS actuator and electric unit (control unit) connector and check terminal for deformation, disconnection, looseness, etc.
- Securely connect connectors and perform ABS actuator and electric unit (control unit) self-diagnosis.

Are self-diagnosis results indicated?

- YES >> If poor contact, damage, open or short circuit of connector terminal is found, repair or replace.
- NO >> GO TO 4.

#### 4.CHECK ECM AND A/T SELF-DIAGNOSIS RESULTS

Perform ECM and A/T self-diagnosis.

Are self-diagnosis results indicated?

- YES >> Check the corresponding items.
- NO >> Replace ABS actuator and electric unit (control unit).



# NORMAL OPERATING CONDITION

< SYMPTOM DIAGNOSIS >

[VDC/TCS/ABS]

## NORMAL OPERATING CONDITION

### Description

INFOID:000000001832584

Symptom	Result
Slight vibrations are felt on the brake pedal and the operation noises occur, when VDC, TCS or ABS is activated.	This is a normal condition due to the VDC, TCS or ABS activation.
Stopping distance is longer than that of vehicles without ABS when the vehicle drives on rough, gravel, or snow-covered (fresh, deep snow) roads.	
The brake pedal moves and generates noises, when TCS or VDC is activated due to rapid acceleration or sharp turn.	
The brake pedal vibrates and motor operation noises occur from the engine room, after the engine starts and just after the vehicle starts.	This is a normal, and it is caused by the ABS operation check.
Depending on the road conditions, the driver may experience a sluggish feel.	This is normal, because TCS places the highest priority on the optimum traction (stability).
TCS may activate momentarily if wheel speed changes when driving over location where friction coefficient varies, when downshifting, or when fully depressing accelerator pedal.	
The ABS warning lamp, VDC OFF indicator lamp and SLIP indicator lamp may turn ON when the vehicle is subject to strong shaking or large vibration, such as when the vehicle is rotating on a turntable or located on a ship while the engine is running.	In this case, restart the engine on a normal road. If the normal condition is restored, there is no malfunction. At that time, erase the self-diagnosis memory.
VDC may not operate normally or the ABS warning lamp, VDC OFF indicator lamp, and SLIP indicator lamp may illuminate, when running on a special road that is extremely slanted (e.g. bank in a circuit course).	
A malfunction may occur in the yaw rate/side G sensor system, when the vehicle turns sharply, such as during a spin turn, axle turn, or drift driving, while the VDC function is off (VDC OFF indicator lamp illuminated).	
The vehicle speed will not increase even though the accelerator pedal is depressed, when inspecting the speedometer on a 2-wheel chassis dynamometer.	Normal (Deactivate the VDC/TCS function before performing an inspection on a chassis dynamometer.)
VDC OFF indicator lamp and SLIP indicator lamp may simultaneously turn on when low tire pressure warning lamp turns on.	This is not a VDC system error but results from characteristic change of tire.

A  
B  
C  
D  
E  
G  
H  
I  
J  
K  
L  
M  
N  
O  
P

BRC

# PRECAUTION

## PRECAUTIONS

### Precaution for Supplemental Restraint System (SRS) "AIR BAG" and "SEAT BELT PRE-TENSIONER"

INFOID:000000001832585

The Supplemental Restraint System such as "AIR BAG" and "SEAT BELT PRE-TENSIONER", used along with a front seat belt, helps to reduce the risk or severity of injury to the driver and front passenger for certain types of collision. This system includes seat belt switch inputs and dual stage front air bag modules. The SRS system uses the seat belt switches to determine the front air bag deployment, and may only deploy one front air bag, depending on the severity of a collision and whether the front occupants are belted or unbelted. Information necessary to service the system safely is included in the "SRS AIR BAG" and "SEAT BELT" of this Service Manual.

**WARNING:**

- To avoid rendering the SRS inoperative, which could increase the risk of personal injury or death in the event of a collision which would result in air bag inflation, all maintenance must be performed by an authorized NISSAN/INFINITI dealer.
- Improper maintenance, including incorrect removal and installation of the SRS, can lead to personal injury caused by unintentional activation of the system. For removal of Spiral Cable and Air Bag Module, see the "SRS AIR BAG".
- Do not use electrical test equipment on any circuit related to the SRS unless instructed to in this Service Manual. SRS wiring harnesses can be identified by yellow and/or orange harnesses or harness connectors.

### PRECAUTIONS WHEN USING POWER TOOLS (AIR OR ELECTRIC) AND HAMMERS

**WARNING:**

- When working near the Air Bag Diagnosis Sensor Unit or other Air Bag System sensors with the ignition ON or engine running, DO NOT use air or electric power tools or strike near the sensor(s) with a hammer. Heavy vibration could activate the sensor(s) and deploy the air bag(s), possibly causing serious injury.
- When using air or electric power tools or hammers, always switch the ignition OFF, disconnect the battery, and wait at least 3 minutes before performing any service.

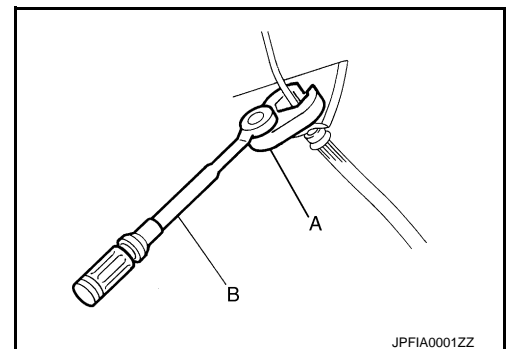
### Precaution for Brake System

INFOID:000000001832586

**WARNING:**

**Clean brake pads and shoes with a waste cloth, then wipe with a dust collector.**

- Only use DOT 3 brake fluid. Refer to [MA-10. "Fluids and Lubricants"](#).
- Never reuse drained brake fluid.
- Never spill or splash brake fluid on painted surfaces. Brake fluid may seriously damage paint. Wipe it off immediately and wash with water if it gets on a painted surface.
- Never use mineral oils such as gasoline or light oil. They may damage rubber parts and cause improper operation.
- Always loosen the brake tube flare nut with a flare nut wrench.
- Tighten the brake tube flare nut to the specified torque with a crow-foot (A) and torque wrench (B).
- Always conform the specified tightening torque when installing the brake pipes.
- Brake system is an important safety part. If a brake fluid leak is detected, always disassemble the affected part. If a malfunction is detected, replace part with a new one.
- Turn the ignition switch OFF and disconnect the ABS actuator and electric unit (control unit) connector or the battery negative terminal before performing the work.



# PRECAUTIONS

< PRECAUTION >

[VDC/TCS/ABS]

## Precaution for Brake Control

INFOID:000000001832587

- When starting engine or when starting vehicle just after starting engine, brake pedal may vibrate or motor operating noise may be heard from engine compartment. This is normal condition.
- When an error is indicated by ABS or another warning lamp, collect all necessary information from customer (what symptoms are present under what conditions) and check for estimate causes before starting diagnostic servicing. Besides electrical system inspection, check brake booster operation, brake fluid level, and oil leaks.
- If tire size and type are used in an improper combination, or brake pads are not Genuine NISSAN parts, stopping distance or steering stability may deteriorate.
- ABS might be out of order or malfunctions by putting a radio (wiring inclusive), an antenna and a lead-in wire near the control unit.
- If aftermarket parts (car stereo, CD player, etc.) have been installed, check for incidents such as harness pinches, open circuits, and improper wiring.
- VDC system may not operate normally or a VDC OFF indicator lamp or SLIP indicator lamp may light.
- When replacing the following parts with parts other than genuine parts or making modifications: Suspension related parts (shock absorber, spring, bushing, etc.), tires, wheels (other than specified sizes), brake-related parts (pad, rotor, caliper, etc.), engine-related parts (muffler, ECM, etc.) and body reinforcement-related parts (roll bar, tower bar, etc.).
- When driving with worn or deteriorated suspension, tires and brake-related parts.

A  
B  
C  
D  
E  
F  
G  
H  
I  
J  
K  
L  
M  
N  
O  
P

**BRC**

# PREPARATION

< PREPARATION >

[VDC/TCS/ABS]

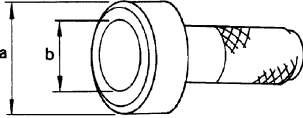
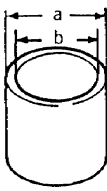
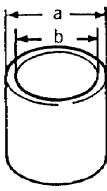
## PREPARATION

### PREPARATION

#### Special Service Tool

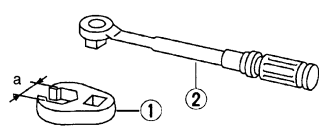
INFOID:000000001832588

The actual shapes of Kent-Moore tools may differ from those of special service tools illustrated here.

Tool number (Kent-Moore No.) Tool name	Description
<p>ST30720000 (J-25405) Drift a: 77 mm (3.03 in) dia. b: 55.5 mm (2.185 in) dia.</p>  <p style="text-align: center;">ZZA0701D</p>	
<p>ST27863000 ( — ) Drift a: 74.5 mm (2.933 in) dia. b: 62.5 mm (2.461 in) dia.</p>  <p style="text-align: center;">ZZA0832D</p>	Installing rear sensor rotor
<p>KV40104710 ( — ) a: 76.3 mm (3.004 in) dia. b: 67.9 mm (2.673 in) dia.</p>  <p style="text-align: center;">ZZA0832D</p>	

#### Commercial Service Tool

INFOID:000000001832589

Tool name	Description
<p>1. Flare nut crowfoot a: 10 mm (0.39 in) / 12 mm (0.47 in) 2. Torque wrench</p>  <p style="text-align: center;">S-NT360</p>	Installing brake tube

# WHEEL SENSOR

< REMOVAL AND INSTALLATION >

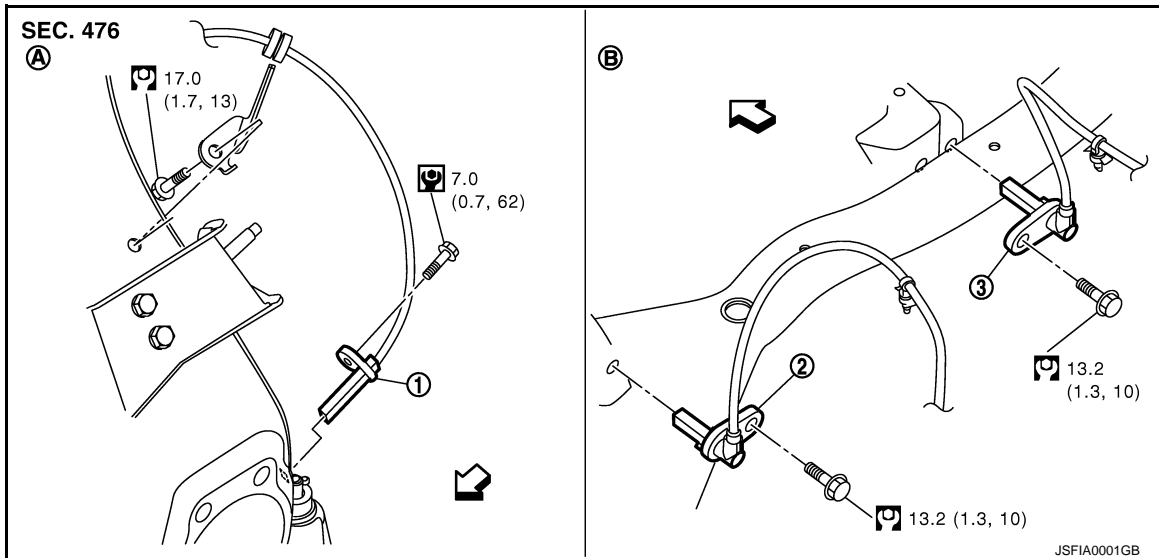
[VDC/TCS/ABS]

## REMOVAL AND INSTALLATION

### WHEEL SENSOR

#### Exploded View

INFOID:000000001832590



1. Front LH wheel sensor

2. Rear LH wheel sensor

3. Rear RH wheel sensor

A. Front

B. Rear

←: Vehicle front

Refer to GI section [GI-4. "Components"](#) for symbol marks in the figure.

#### NOTE:

The above figure (front side) shows left side. Right side is the mirror image.

### Removal and Installation

INFOID:000000001832591

#### REMOVAL

Pay attention to the following when removing sensor.

#### CAUTION:

- Do not twist sensor harness as much as possible, when removing it. Pull sensors out without pulling sensor harness.
- Take care to avoid damaging sensor edges or rotor teeth. Remove wheel sensor first before removing front or rear wheel hub. This is to avoid damage to sensor wiring and loss of sensor function.

#### INSTALLATION

Pay attention to the following when installing wheel sensor. Tighten installation bolts to the specified torques. Refer to [BRC-101. "Exploded View"](#).

- When installing, make sure there is no foreign material such as iron chips on and in the mounting hole of the wheel sensor. Make sure no foreign material has been caught in the sensor rotor. Remove any foreign material and clean the mount.
- When installing wheel sensor, be sure to press rubber grommets in until they lock at locations shown above in the figure. When installed, harness must not be twisted.

# SENSOR ROTOR

< REMOVAL AND INSTALLATION >

[VDC/TCS/ABS]

## SENSOR ROTOR

### FRONT SENSOR ROTOR

#### FRONT SENSOR ROTOR : Exploded View

INFOID:000000001832592

Refer to [FAX-6, "Exploded View"](#) (2WD models), [FAX-16, "Exploded View"](#) (AWD models).

#### FRONT SENSOR ROTOR : Removal and Installation

INFOID:000000001832593

#### REMOVAL

Sensor rotor cannot be disassembled. Remove the sensor rotor together with hub bearing assembly. Refer to [FAX-6, "Exploded View"](#) (2WD models), [FAX-16, "Exploded View"](#) (AWD models).

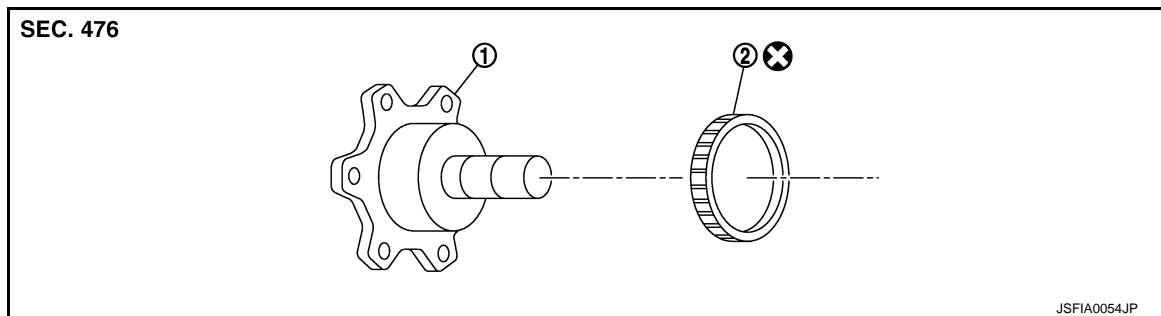
#### INSTALLATION

Sensor rotor cannot be disassembled. Remove the sensor rotor together with hub bearing assembly. Refer to [FAX-6, "Exploded View"](#) (2WD models), [FAX-16, "Exploded View"](#) (AWD models).

## REAR SENSOR ROTOR

#### REAR SENSOR ROTOR : Exploded View

INFOID:000000001832594



1. Side flange
2. Rear wheel sensor rotor

Refer to GI section [GI-4, "Components"](#) for symbol marks in the figure.

#### REAR SENSOR ROTOR : Removal and Installation

INFOID:000000001832595

#### REMOVAL

- Follow the procedure below to remove rear sensor rotor.
- Remove side flange. Refer to [RAX-10, "Exploded View"](#).
- Using a bearing replacer (suitable tool) and puller (suitable tool), remove sensor rotor from side flange.

#### INSTALLATION

##### CAUTION:

**Do not reuse sensor rotor.**

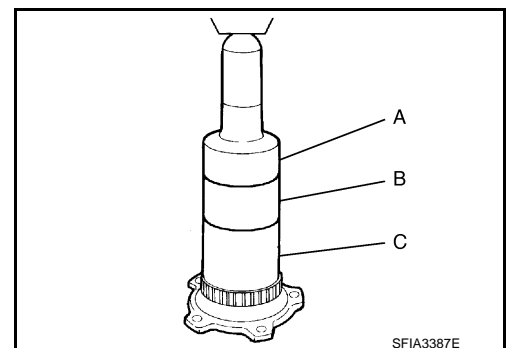
- Follow the procedure below to install rear sensor rotor.
- Using a drifts, press rear sensor rotor onto side flange.

**A: Drift [SST: ST30720000 (J-25405)]**

**B: Drift [SST: ST27863000 ( — )]**

**C: Drift [SST: KV40104710 ( — )]**

- Install side flange. Refer to [RAX-10, "Exploded View"](#).



# ABS ACTUATOR AND ELECTRIC UNIT (CONTROL UNIT)

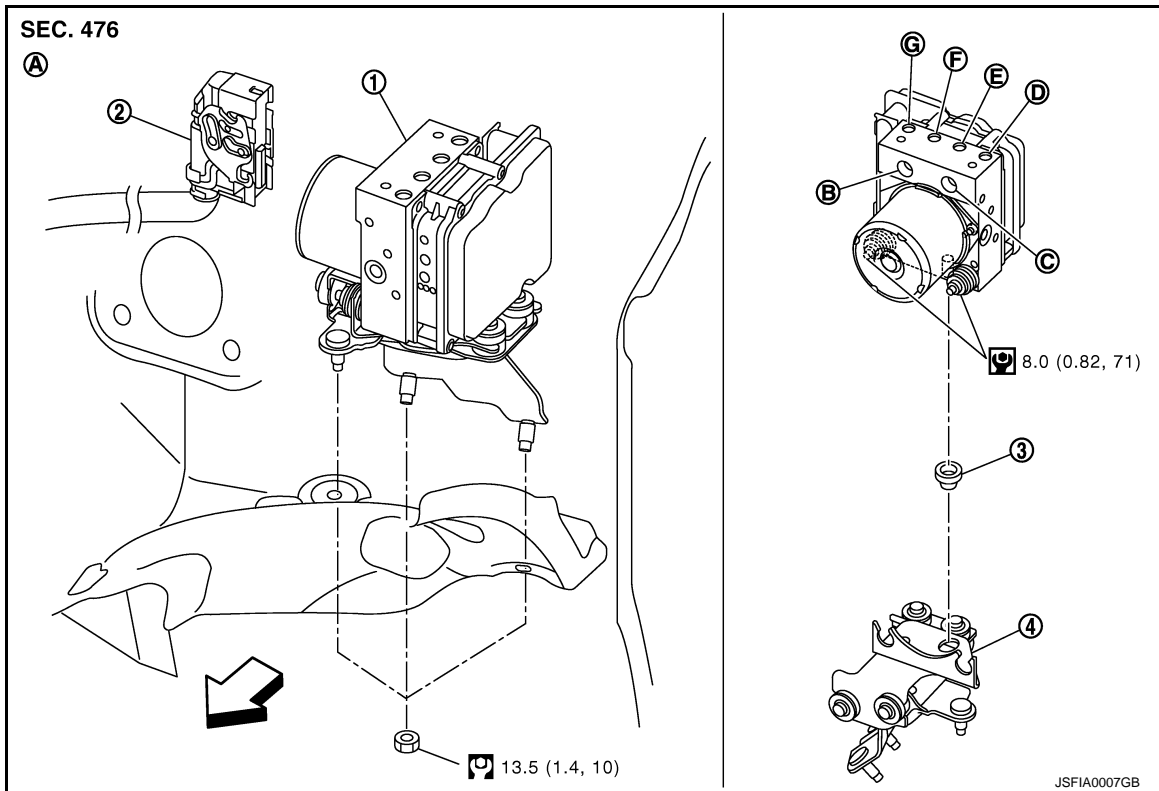
< REMOVAL AND INSTALLATION >

[VDC/TCS/ABS]

## ABS ACTUATOR AND ELECTRIC UNIT (CONTROL UNIT)

Exploded View

INFOID:000000001832596



A

B

C

D

E

BRC

G

H

I

J

K

L

M

N

O

P

1. ABS actuator and electric unit (control unit)
  2. Connector
  3. Bushing
  4. Bracket
- A. Left side of dash panel      B. From master cylinder secondary side      C. From master cylinder primary side  
D. To front LH brake caliper      E. To rear RH brake caliper      F. To Rear LH brake caliper  
G. To front RH brake caliper

← Vehicle front

Refer to GI section [GI-4, "Components"](#) for symbol marks in the figure.

## Removal and Installation

INFOID:000000001832597

### REMOVAL

#### CAUTION:

- Before servicing, disconnect the battery cable from negative terminal.
- To remove brake tube, use a flare nut wrench to prevent flare nuts and brake tube from being damaged. To install, use flare nut crowfoot and torque wrench.
- Do not apply excessive impact to ABS actuator and electric unit (control unit), such as dropping it.
- Do not remove and install actuator by holding harness.
- After work is completed, bleed air from brake tube. Refer to [BR-13, "Bleeding Brake System"](#).

1. Remove cowl top cover. Refer to [EXT-20, "Exploded View"](#).
2. Disconnect ABS actuator and electric unit (control unit) connector.
3. Loosen brake tube flare nuts, then remove brake tubes from ABS actuator and electric unit (control unit).
4. Remove tire (front LH side).
5. Remove fender protector (rear): (front LH side). Refer to [EXT-23, "FENDER PROTECTOR : Exploded View"](#).
6. Remove ABS actuator and electric unit (control unit) bracket mounting nut.

## ABS ACTUATOR AND ELECTRIC UNIT (CONTROL UNIT)

< REMOVAL AND INSTALLATION >

[VDC/TCS/ABS]

7. Remove ABS actuator and electric unit (control unit) from vehicle.

### INSTALLATION

Note the following, and install in the reverse order of removal.

#### **CAUTION:**

- Before servicing, disconnect the battery cable from negative terminal.
- To remove brake tube, use a flare nut wrench to prevent flare nuts and brake tube from being damaged. To install, use flare nut crowfoot and torque wrench.
- Do not apply excessive impact to ABS actuator and electric unit (control unit), such as dropping it.
- Do not remove and install actuator by holding harness.
- After work is completed, bleed air from brake tube. Refer to [BR-13. "Bleeding Brake System"](#).
- After installing harness connector in the ABS actuator and electric unit (control unit), make sure connector is securely locked.
- When replacing ABS actuator and electric unit (control unit), make sure to adjust neutral position of steering angle sensor. Refer to [BRC-8. "ADJUSTMENT OF STEERING ANGLE SENSOR NEUTRAL POSITION : Description"](#).



# YAW RATE/SIDE G SENSOR

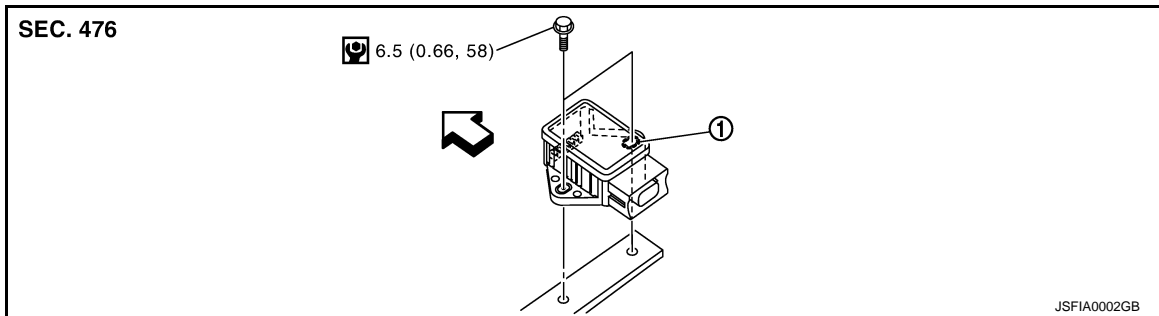
< REMOVAL AND INSTALLATION >

[VDC/TCS/ABS]

## YAW RATE/SIDE G SENSOR

### Exploded View

INFOID:000000001832598



1. Yaw rate/side G sensor

↔ Vehicle front

Refer to GI section [GI-4. "Components"](#) for symbol makes in the figure.

### Removal and Installation

INFOID:000000001832599

#### REMOVAL

##### **CAUTION:**

**Do not drop or strike yaw rate/side G sensor, or do not use power tool etc., because yaw rate/side G sensor is sensitive to the impact.**

1. Remove center console. Refer to [IP-22. "Exploded View"](#).
2. Disconnect yaw rate/side G sensor harness connector.
3. Remove mounting bolts. Remove yaw rate/side G sensor.

#### INSTALLATION

Note the following, and install in the reverse order of removal.

##### **CAUTION:**

**Do not drop or strike yaw rate/side G sensor, or do not use power tool etc., because yaw rate/side G sensor is sensitive to the impact.**

A  
B  
C  
D  
E  
BRC  
G  
H  
I  
J  
K  
L  
M  
N  
O  
P

# STEERING ANGLE SENSOR

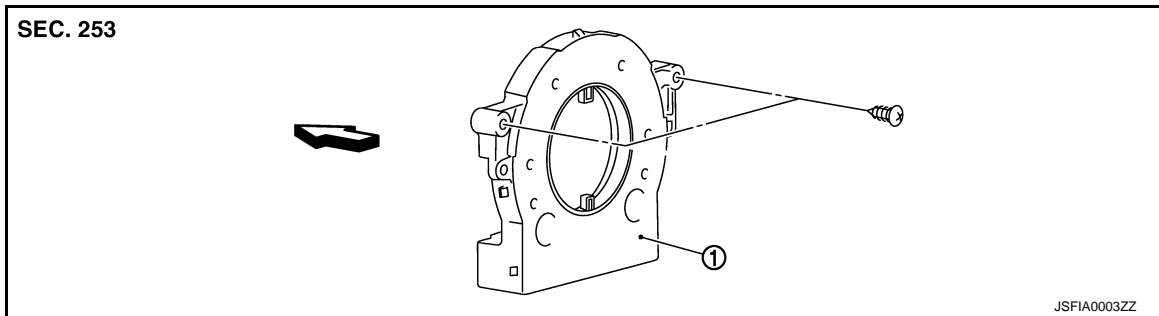
< REMOVAL AND INSTALLATION >

[VDC/TCS/ABS]

## STEERING ANGLE SENSOR

### Exploded View

INFOID:000000001832600



1. Steering angle sensor

↔: Vehicle front

Refer to GI section [GI-4, "Components"](#) for symbol marks in the figure.

### Removal and Installation

INFOID:000000001832601

#### REMOVAL

1. Remove spiral cable assembly. Refer to [SR-7, "Exploded View"](#).
2. Remove steering angle sensor from spiral cable assembly.

#### INSTALLATION

Note the following, and install in the reverse order of removal.

#### **CAUTION:**

- After work, make sure to adjust neutral position of steering angle sensor. Refer to [BRC-8, "ADJUSTMENT OF STEERING ANGLE SENSOR NEUTRAL POSITION : Description"](#).
- Perform 4WAS front actuator adjustment. Refer to [STC-28, "4WAS FRONT ACTUATOR NEUTRAL POSITION ADJUSTMENT : Description"](#).